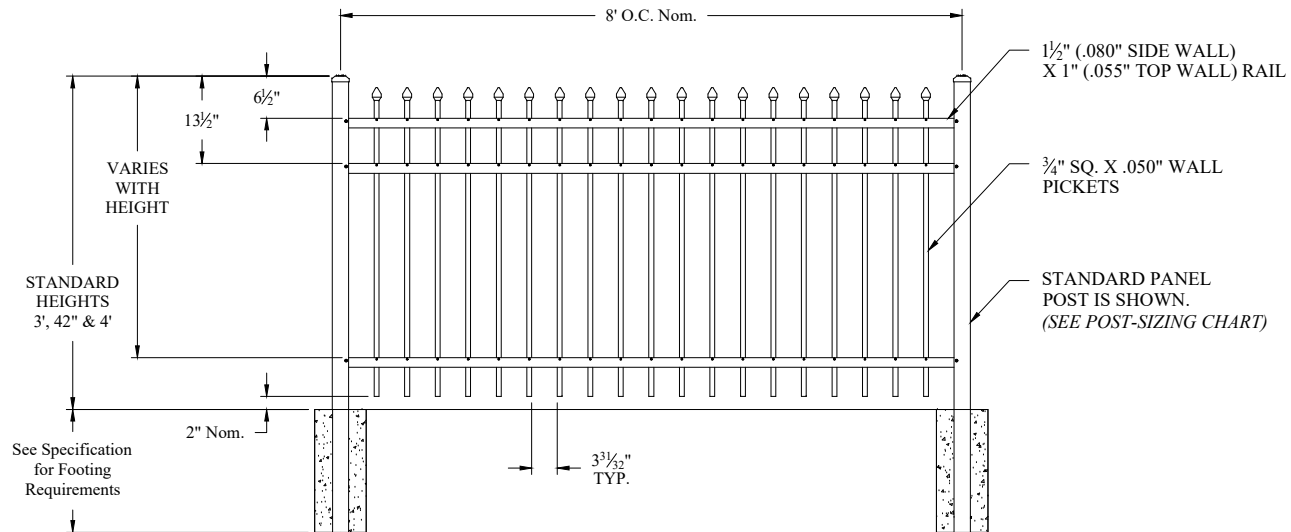


NOTES:

1. 3-rail is standard for all other heights, 4-rail is an option only for 6' height.
2. Flush bottom available with certain heights, see Jerith Premier catalog.



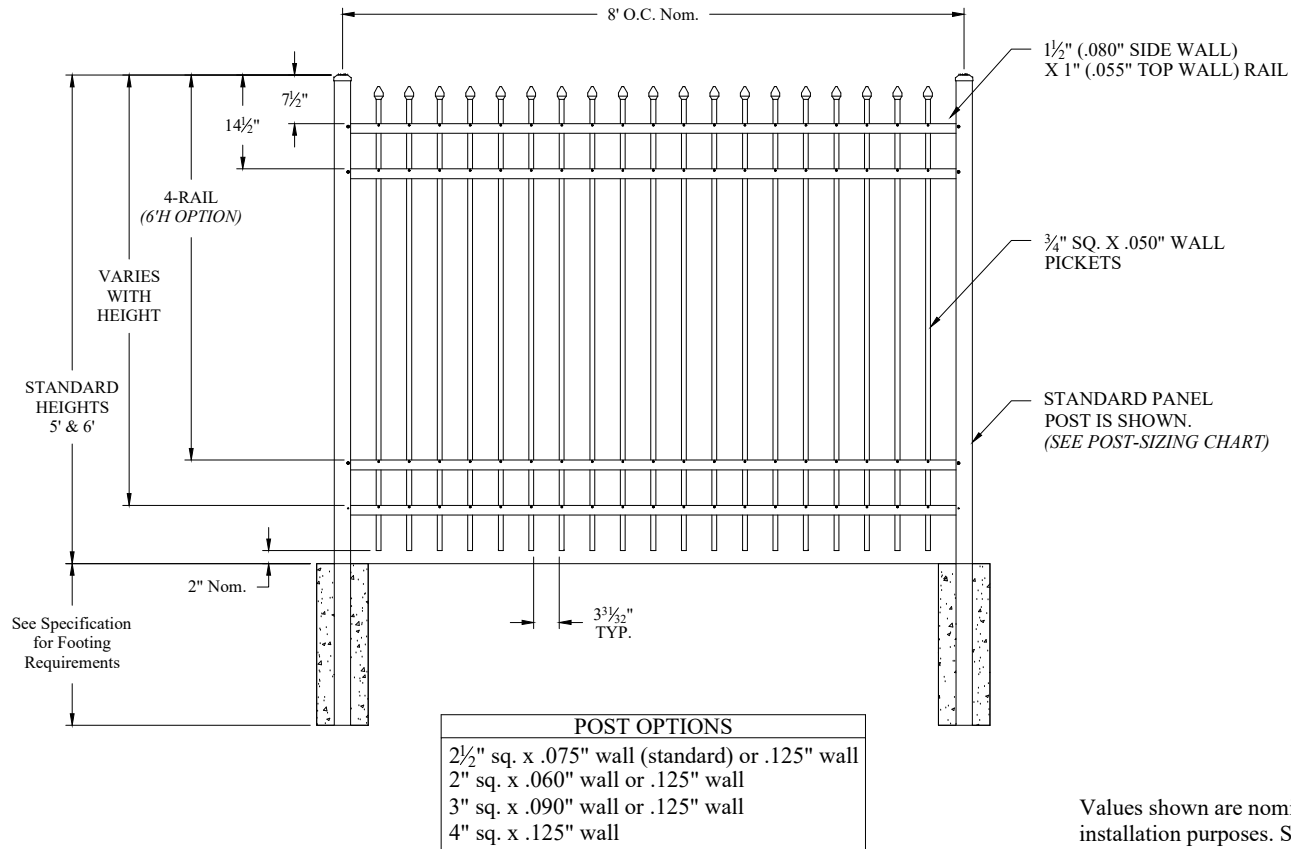
POST OPTIONS
2 1/2" sq. x .075" wall (standard) or .125" wall
2" sq. x .060" wall or .125" wall
3" sq. x .090" wall or .125" wall
4" sq. x .125" wall

Values shown are nominal and not to be used for installation purposes. See product specification for installation requirements.

JERITH PREMIER STYLE #101 8' PANEL 3-RAIL

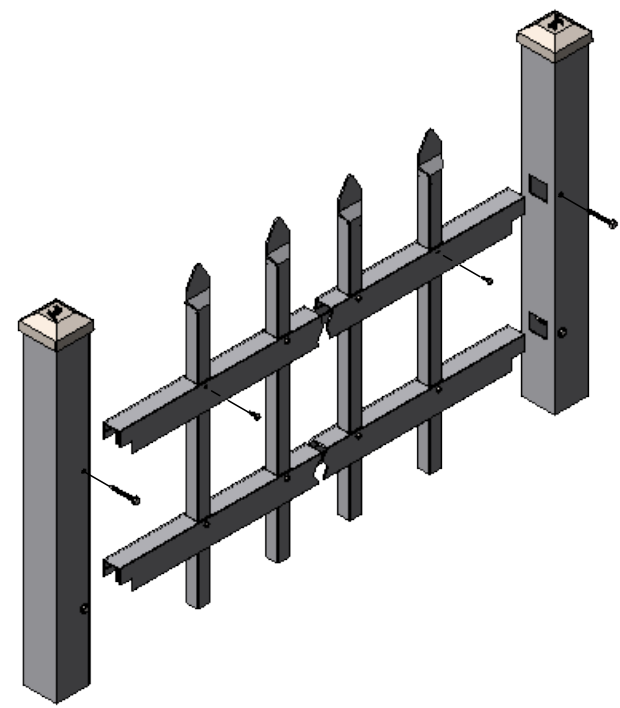
NOTES:

1. 3-rail is standard for all other heights, 4-rail is an option only for 6' height.
2. Flush bottom available with certain heights, see Jerith Premier catalog.



JERITH PREMIER STYLE #101 8' PANEL 4-RAIL

REV	DESCRIPTION	DATE	ENGINEER
A	INITIAL RELEASE	10/5/2021	RU



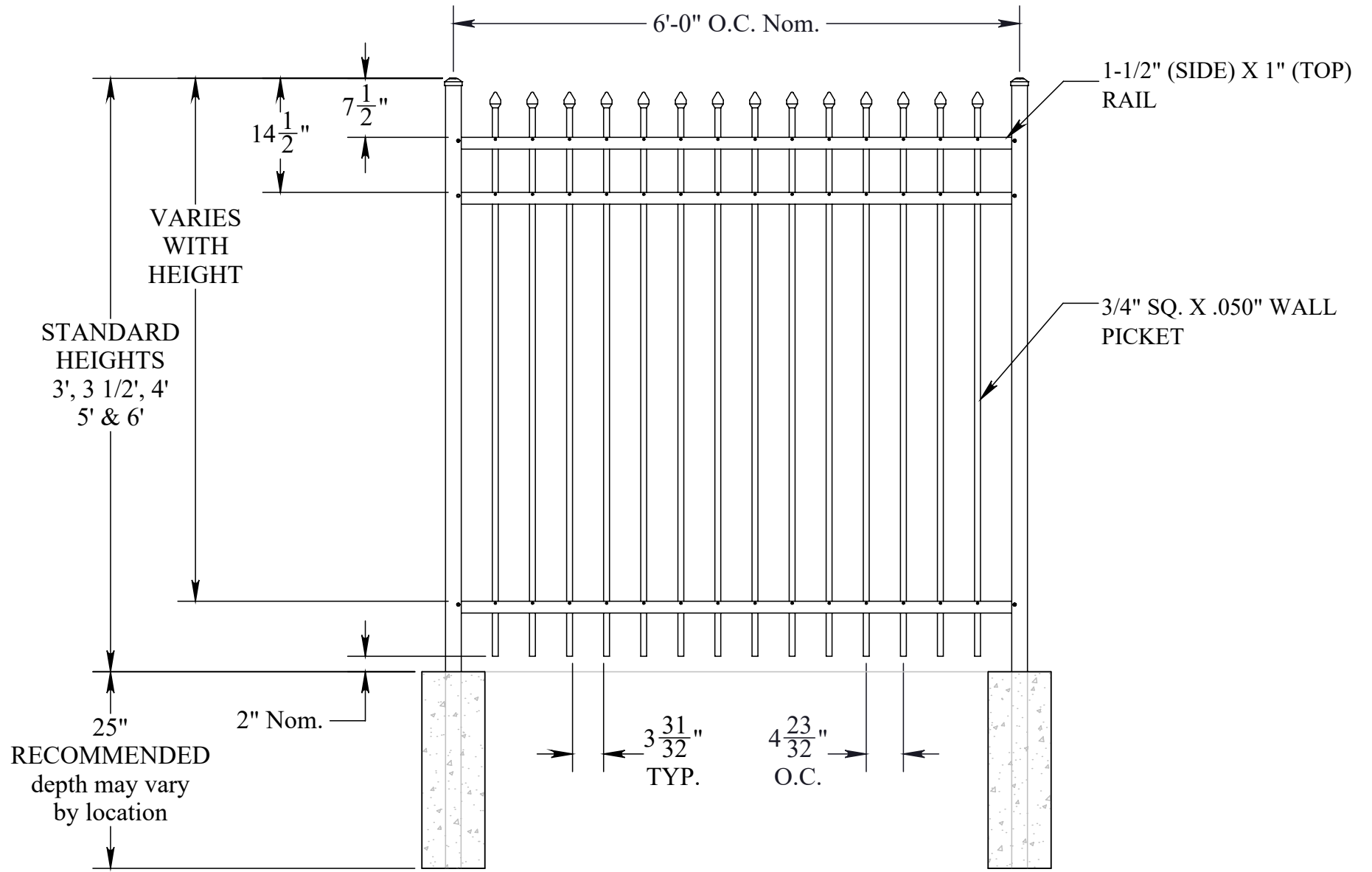
JERITH PREMIER FASTENER

POST OPTIONS
2.5" sq. x .075" wall (standard) or .125" wall
2" sq. x .060" wall or .125" wall
3" sq. x .090" wall or .125" wall
4" sq. x .125" wall

NOTES:

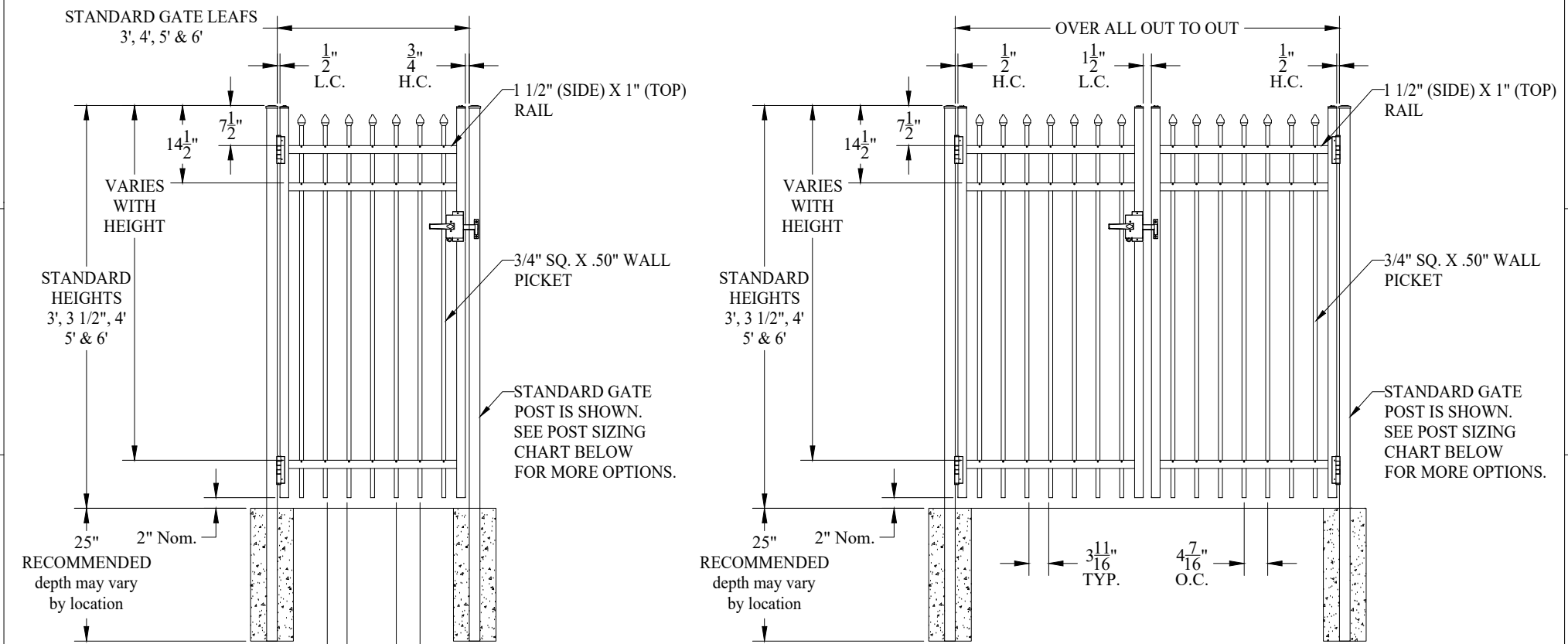
1.) Flush bottom available in certain heights.
See Jerith Premier brochure.

Values shown are nominal and not to be used for installation purposes. See product specification for installation requirements.



<p>NOTICE TO PERSONS RECEIVING THIS DRAWING AND/OR TECHNICAL INFORMATION Jerith Manufacturing LLC claims propriety rights to the material disclosed hereon. This drawing and/or technical information is issued in confidence for engineering information only and may not be reproduced or used to manufacture anything shown or referred to hereon without direct written permission from Jerith Manufacturing LLC to the user. This drawing and/or technical information is the property of Jerith Manufacturing LLC and is loaned for mutual assistance to be returned when its purpose has been served.</p>	<p>UNLESS OTHERWISE SPECIFIED TOLERANCES</p> <p>X.X ± .06</p> <p>X.XX ± .03</p> <p>X.XXX ± .02</p> <p>ANGLES ± 0.5°</p> <p>FRACTIONS ± 1/8</p> <p>SURFACE FINISH 63/√</p>	<p>DRAWING COMPLIES WITH ASME Y14.5M - 1994</p> <p>INCH</p> <p>MM</p>	<p>MATERIAL</p>	<p>JERITH PREMIER #101 STYLE FENCE SECTION</p>		
	<p>THIRD ANGLE PROJECTION</p>	<p>HEAT TREATMENT</p>	<p>DATE CREATED 10/5/2021</p>	<p>DRAWN BY rolurq</p>	<p>DESIGNED BY rolurq</p>	
	<p>Jerith ASSA ABLOY</p> <p>Manufacturing Co., Inc. 14400 McNully Rd. Philadelphia, PA 19154 Tel: (800)344-2242 Fax: (215) 676-9756</p>	<p>SURFACE/FINISH</p>	<p>DOCUMENT ID</p>	<p>SCALE 1:14</p>	<p>SIZE B</p>	<p>DRAWING NUMBER (ALT ID)</p>
	<p>MASS</p>	<p>VOLUME</p>	<p>SURFACE AREA</p>	<p>LEGACY ID</p>		

REV	DESCRIPTION	DATE	ENGINEER
A	INITIAL RELEASE	10/05/2021	RU



STANDARD GATE POST IS SHOWN. SEE POST SIZING CHART BELOW FOR MORE OPTIONS.

STANDARD GATE POST IS SHOWN. SEE POST SIZING CHART BELOW FOR MORE OPTIONS.

Values shown are nominal and not to be used for installation purposes. See product specification for installation requirements.

- NOTES:**
- 1.) All Jerith Gates come with D&D Technologies hardware. Shown with standard hardware option above.
 - 2.) Available in standard or arched style.
 - 3.) Flush bottom available in certain heights. See Jerith Premier brochure.

POST OPTIONS
2.5" sq. x .075" wall (standard) or .125" wall
2" sq. x .060" wall or .125" wall
3" sq. x .090" wall or .125" wall
4" sq. x .125" wall

NOTICE TO PERSONS RECEIVING THIS DRAWING AND/OR TECHNICAL INFORMATION
 Jerith Manufacturing LLC claims proprietary rights to the material disclosed herein. This drawing and/or technical information is issued in confidence for engineering information only and may not be reproduced or used to manufacture anything shown or referred to herein without direct written permission from Jerith Manufacturing LLC to the user. This drawing and/or technical information is the property of Jerith Manufacturing LLC and is loaned for mutual assistance to be returned when its purpose has been served.

UNLESS OTHERWISE SPECIFIED TOLERANCES
 X.X ± .06
 X.XX ± .03
 X.XXX ± .02
 ANGLES ± 0.5°
 FRACTIONS ± 1/8
 SURFACE FINISH $\sqrt{\text{R}}$

DRAWING COMPLIES WITH ASME Y14.5M - 1994

INCH
 MM

THIRD ANGLE PROJECTION

Jerith
 ASSA ABLÖV

Manufacturing Co., Inc.
 14490 McNairy Rd. Philadelphia, PA 19154
 Tel: (800)344-2242 Fax: (215) 676-9756

MATERIAL

HEAT TREATMENT

SURFACE/FINISH

MASS VOLUME SURFACE AREA

JERITH PREMIER #101 STYLE SWING GATE			
DATE CREATED 10/05/2021	DRAWN BY rolurq	DESIGNED BY rolurq	
DOCUMENT ID	SCALE 1:14	SIZE B	
DRAWING NUMBER (ALT ID)			