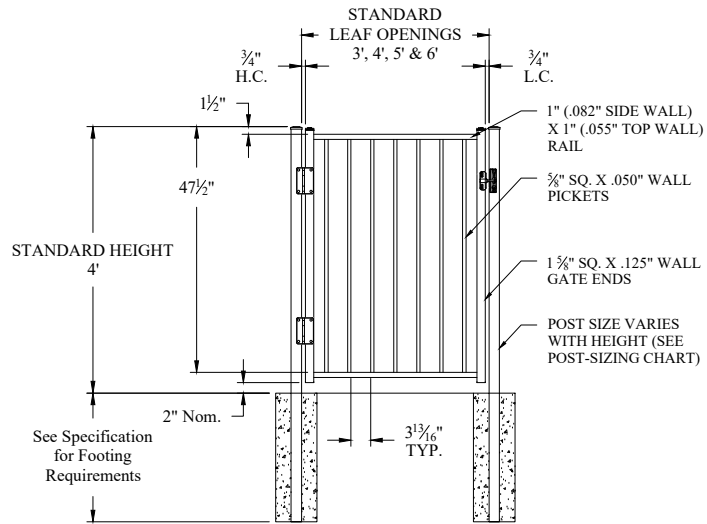
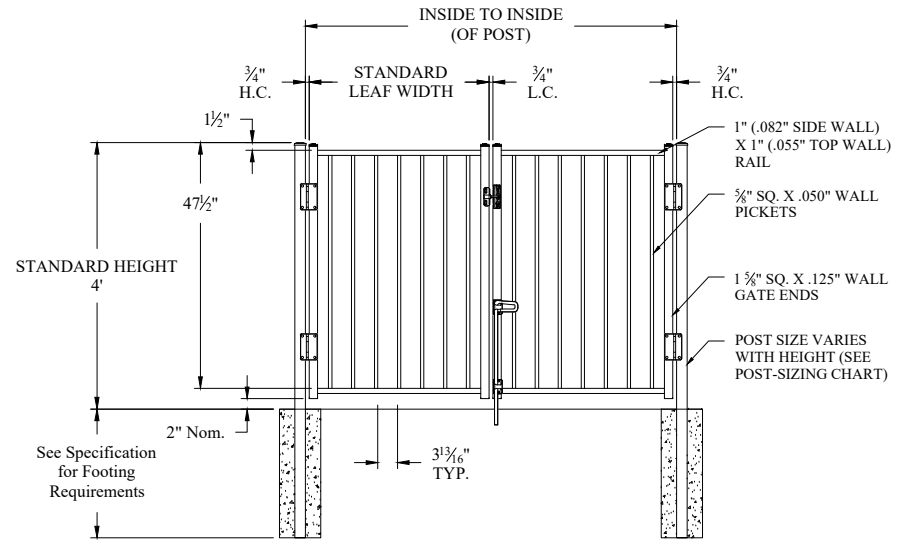


NOTES:

1. Additional styles of gate hardware are available on request. This could change the Latch & Hinge Clearance.
2. Available in standard or arched style.



Single Gate Arrangement



Double Gate Arrangement

POST OPTIONS
2" sq. x .060" wall (standard) or .125" wall
2.5" sq. x .075" wall or .125" wall
3" sq. x .090" wall or .125" wall
4" sq. x .125" wall

Values shown are nominal and not to be used for installation purposes. See product specification for installation requirements.

JERITH LIBERTY OR JERITH LEGACY STYLE #000 SWING GATE 2-RAIL