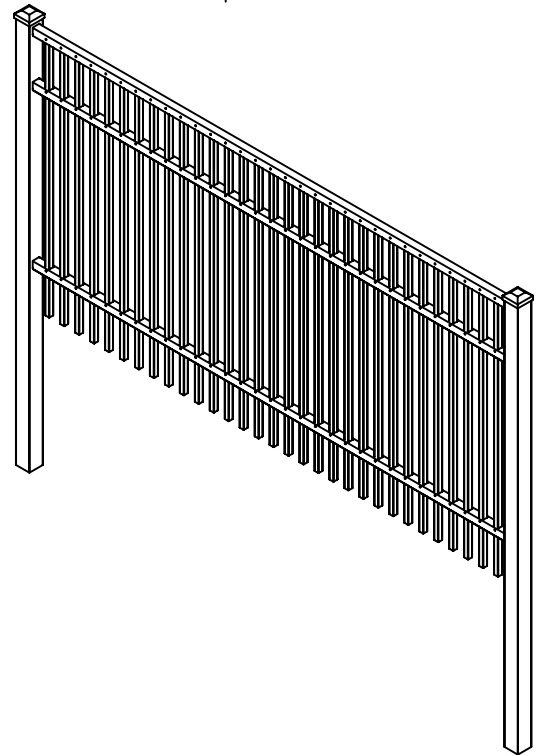
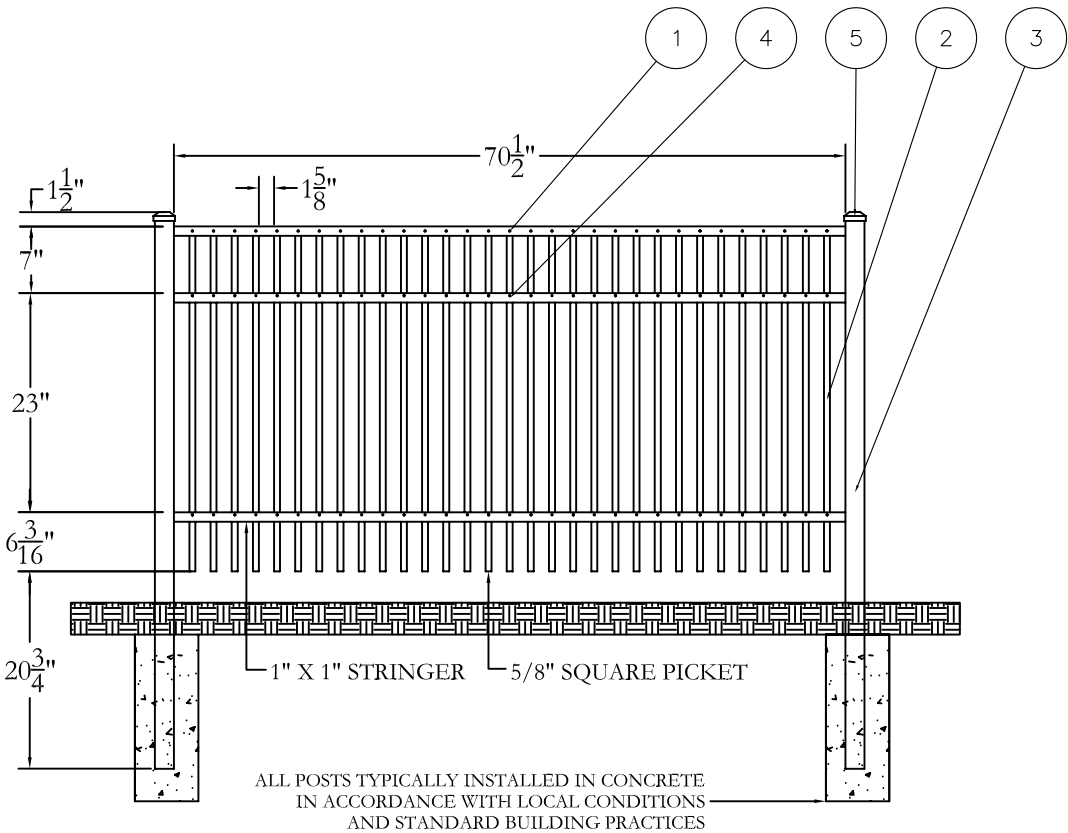


FENCE PARTS		
ITEM	QTY	NAME
1	1	72" - 31 HOLE RESIDENTIAL HEADER
2	31	R202 - 36" PICKET
3	2	2" POST
4	2	72" - 31 HOLE RESIDENTIAL STRINGER
5	2	2" ALUMINUM POST CAP

ZONE	REV	DESCRIPTION	DATE	APPROVED
-	NC	INITIAL RELEASE		



Jerith[®]
 Manufacturing Co., Inc.
 Philadelphia, PA 19154
 (800)344-2242

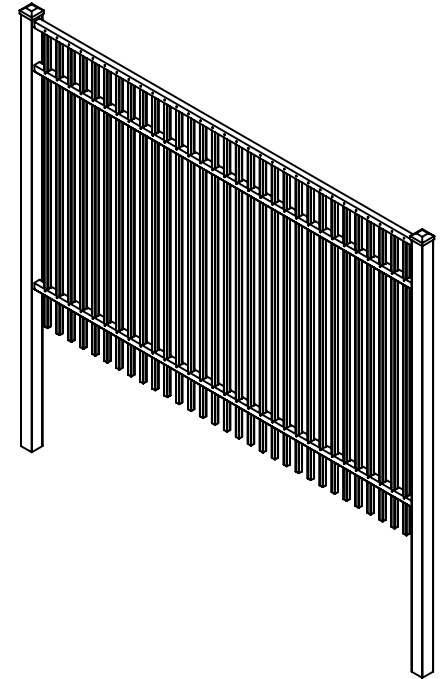
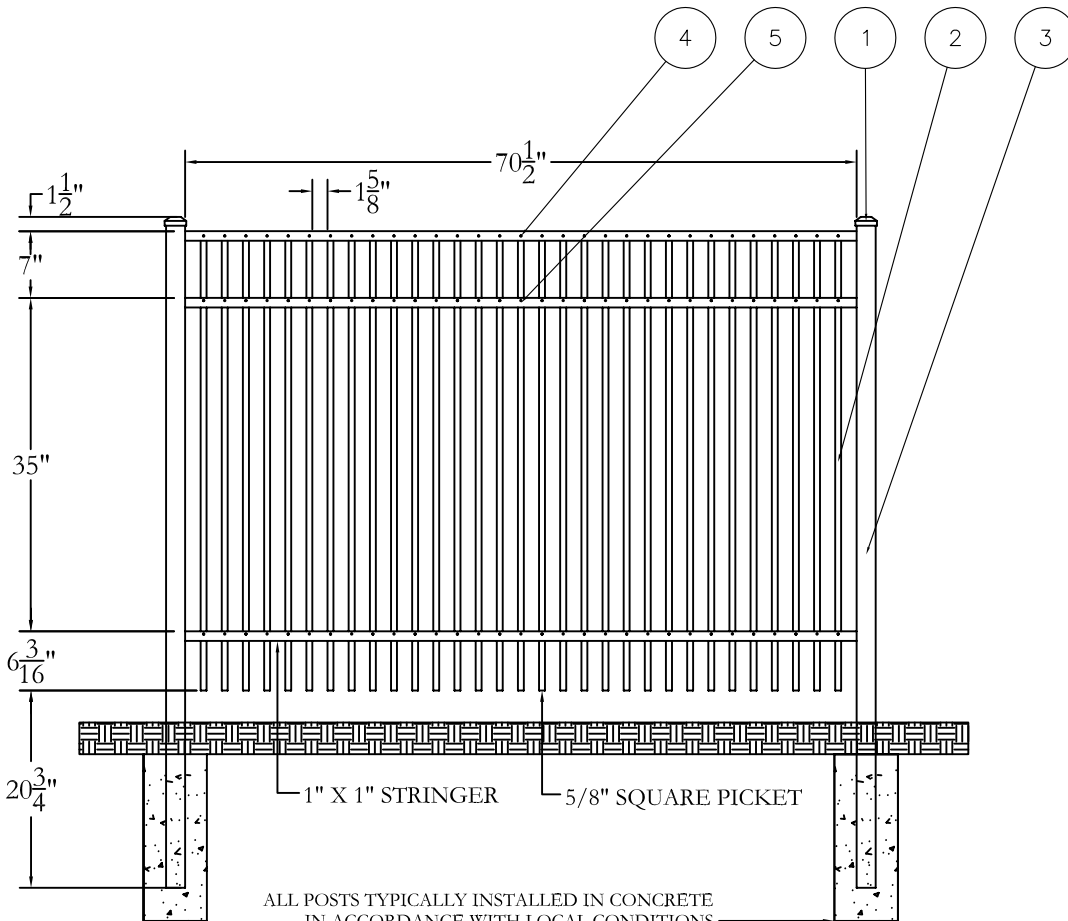
DRAWING:
RESIDENTIAL FENCE
STYLE #402 - 36" HEIGHT

© 2005. This drawing may not be altered or reproduced without the permission of Jerith Manufacturing Co., Inc.

SIZE D	DWG NO. RS36U402SN	REV NC
SCALE	DATE 3-1-04	SHEET 1 OF 1

FENCE PARTS		
ITEM	QTY	NAME
1	2	2" ALUMINUM POST CAP
2	31	R202 - 48" PICKET
3	2	2" POST
4	1	72" - 31 HOLE RESIDENTIAL HEADER
5	2	72" - 31 HOLE RESIDENTIAL STRINGER

ZONE	REV	DESCRIPTION	DATE	APPROVED
-	NC	INITIAL RELEASE		



Jerith[®]
 Manufacturing Co., Inc.
 Philadelphia, PA 19154
 (800)344-2242

DRAWING:
RESIDENTIAL FENCE
STYLE #402 - 48" HEIGHT

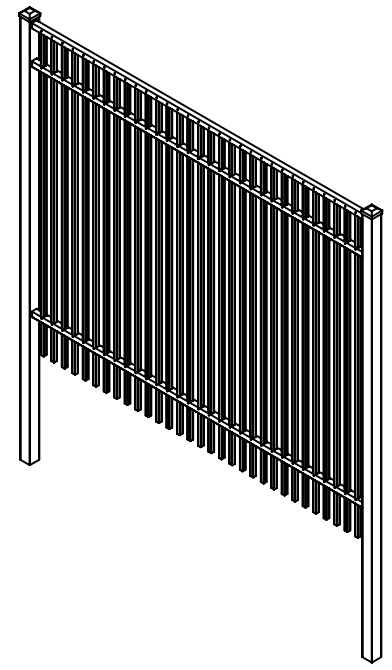
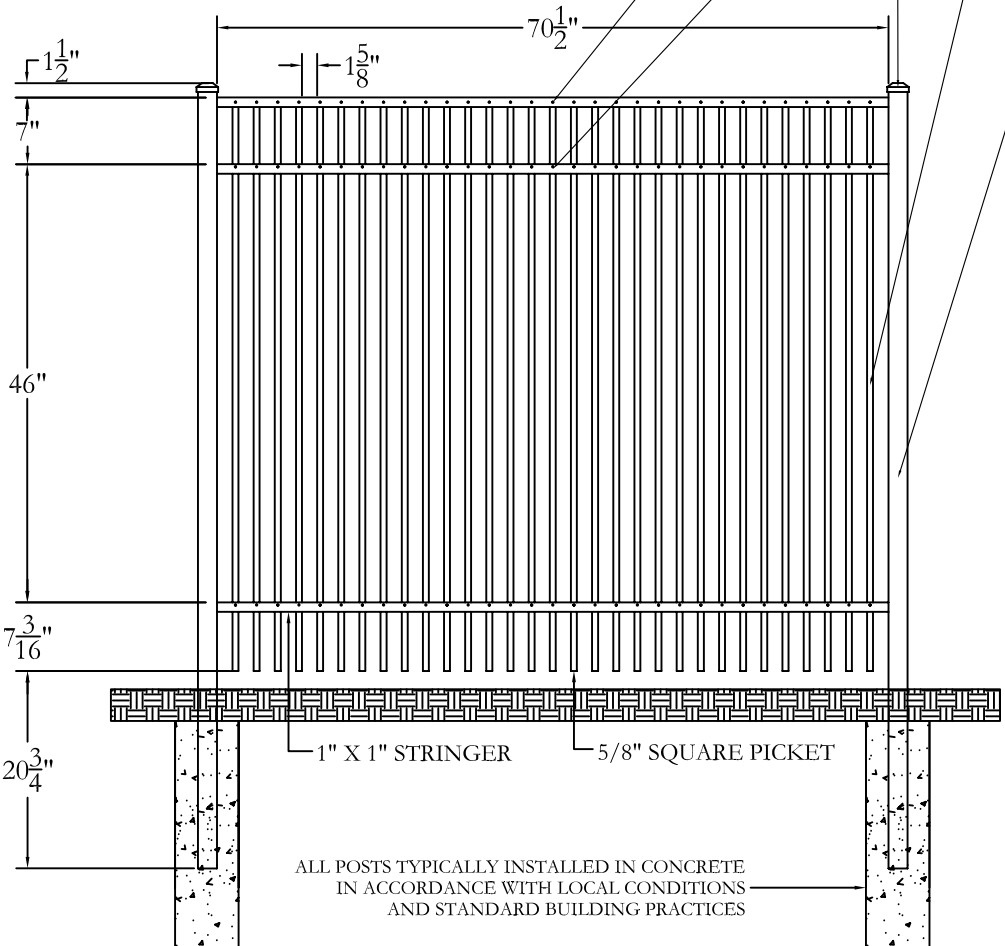
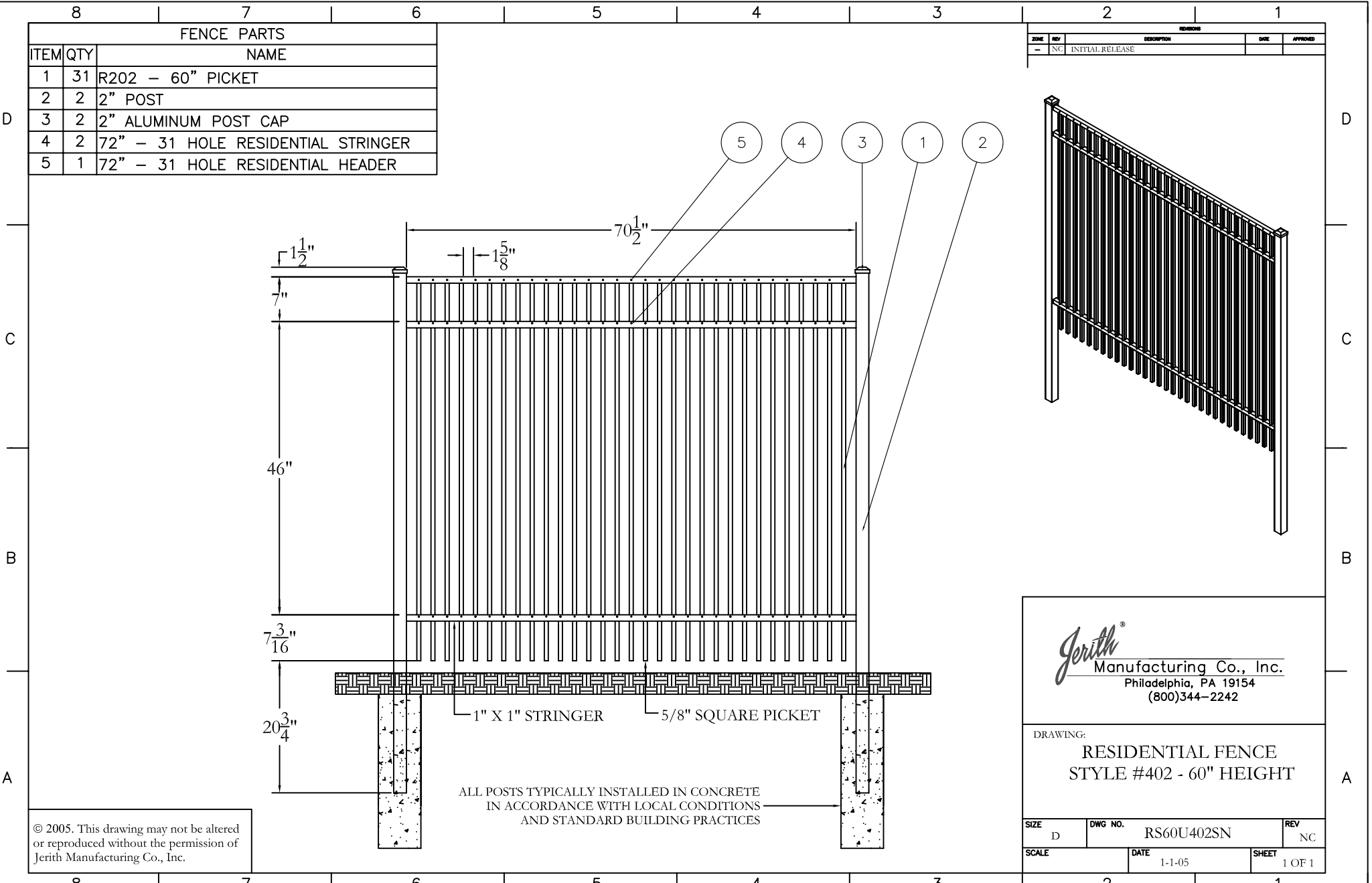
ALL POSTS TYPICALLY INSTALLED IN CONCRETE
 IN ACCORDANCE WITH LOCAL CONDITIONS
 AND STANDARD BUILDING PRACTICES

© 2005. This drawing may not be altered
 or reproduced without the permission of
 Jerith Manufacturing Co., Inc.

SIZE D	DWG NO. RS48U402SN	REV NC
SCALE	DATE 3-1-04	SHEET 1 OF 1

FENCE PARTS		
ITEM	QTY	NAME
1	31	R202 - 60" PICKET
2	2	2" POST
3	2	2" ALUMINUM POST CAP
4	2	72" - 31 HOLE RESIDENTIAL STRINGER
5	1	72" - 31 HOLE RESIDENTIAL HEADER

ZONE	REV	DESCRIPTION	DATE	APPROVED
-	NC	INITIAL RELEASE		



Jerith[®]
 Manufacturing Co., Inc.
 Philadelphia, PA 19154
 (800)344-2242

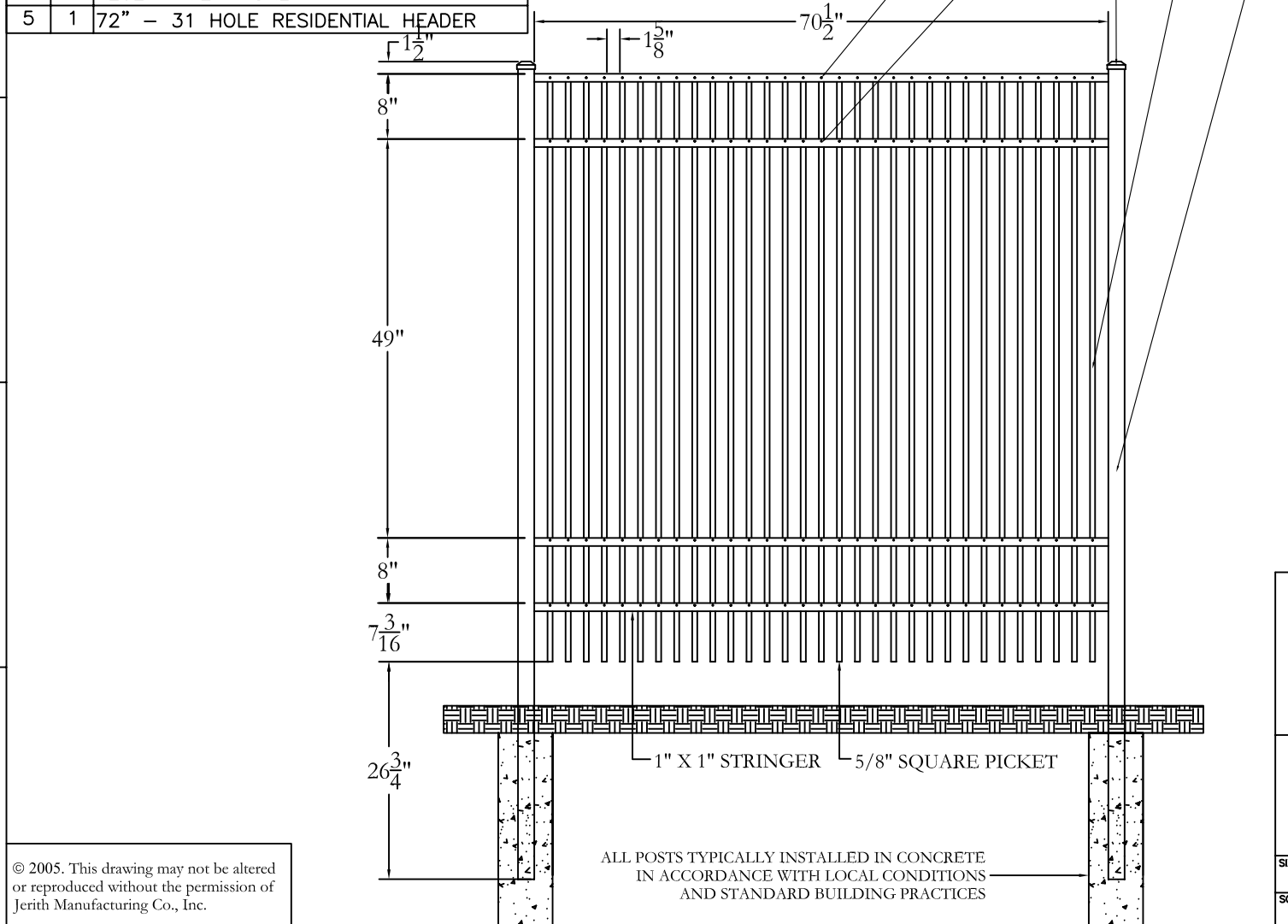
DRAWING:
RESIDENTIAL FENCE
STYLE #402 - 60" HEIGHT

© 2005. This drawing may not be altered or reproduced without the permission of Jerith Manufacturing Co., Inc.

SIZE D	DWG NO. RS60U402SN	REV NC
SCALE	DATE 1-1-05	SHEET 1 OF 1

FENCE PARTS		
ITEM	QTY	NAME
1	2	2" ALUMINUM POST CAP
2	2	2" POST
3	3	72" - 31 HOLE RESIDENTIAL STRINGER
4	31	R202 - 72" PICKET
5	1	72" - 31 HOLE RESIDENTIAL HEADER

ZONE	REV	DESCRIPTION	DATE	APPROVED
-	NC	INITIAL RELEASE		



Jerith[®]
 Manufacturing Co., Inc.
 Philadelphia, PA 19154
 (800)344-2242

DRAWING:
RESIDENTIAL FENCE
STYLE #402 - 72" HEIGHT

© 2005. This drawing may not be altered or reproduced without the permission of Jerith Manufacturing Co., Inc.

ALL POSTS TYPICALLY INSTALLED IN CONCRETE IN ACCORDANCE WITH LOCAL CONDITIONS AND STANDARD BUILDING PRACTICES

SIZE D	DWG NO. RS72U402SN	REV NC
SCALE	DATE 1-1-05	SHEET 1 OF 1