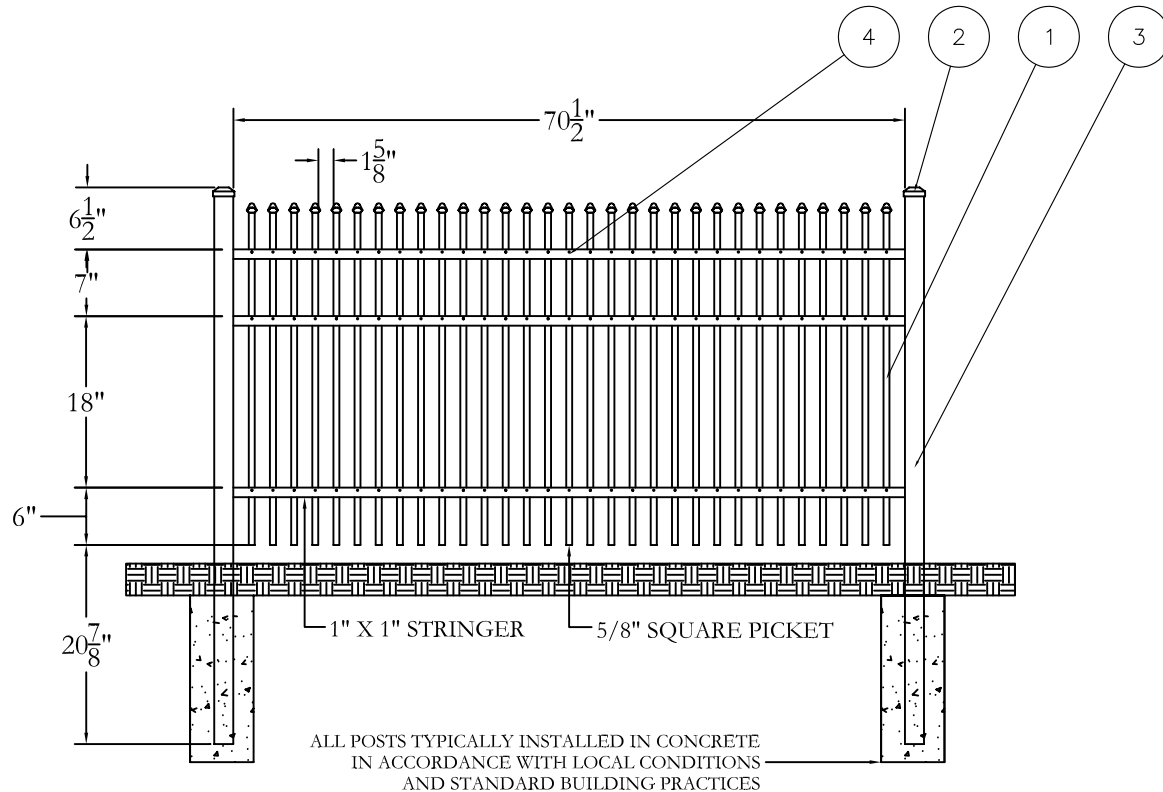
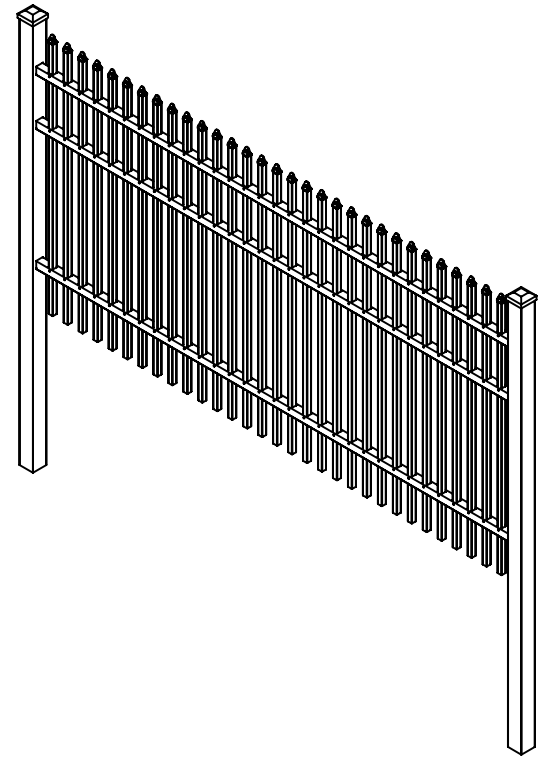


FENCE PARTS		
ITEM	QTY	NAME
1	31	R101 - 36" PICKET
2	2	2" ALUMINUM POST CAP
3	2	2" POST
4	3	72" - 31 HOLE RESIDENTIAL STRINGER

ZONE	REV	DESCRIPTION	DATE	APPROVED
-	NC	INITIAL RELEASE		



*Jerith*<sup>®</sup>  
 Manufacturing Co., Inc.  
 Philadelphia, PA 19154  
 (800)344-2242

DRAWING:  
**RESIDENTIAL FENCE**  
**STYLE #401 - 36" HEIGHT**

© 2005. This drawing may not be altered or reproduced without the permission of Jerith Manufacturing Co., Inc.

SIZE D	DWG NO. RS36U401SN	REV NC
SCALE	DATE 3-1-04	SHEET 1 OF 1

FENCE PARTS		
ITEM	QTY	NAME
1	2	2" ALUMINUM POST CAP
2	2	2" POST
3	3	72" - 31 HOLE RESIDENTIAL STRINGER
4	31	R101 - 48" PICKET

ZONE	REV	DESCRIPTION	DATE	APPROVED
-	NC	INITIAL RELEASE		

D

C

B

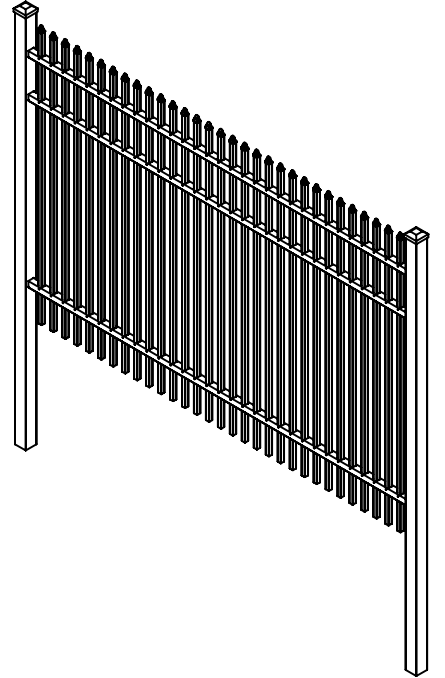
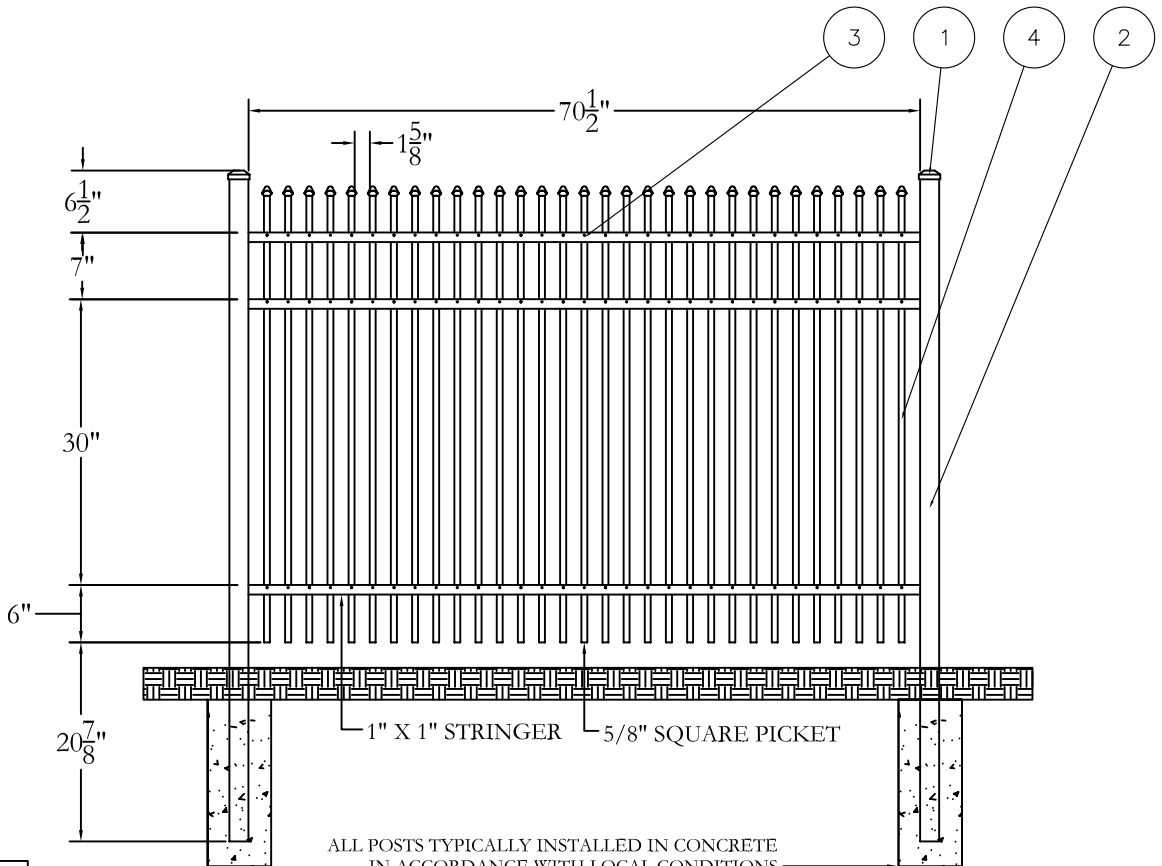
A

D

C

B

A



*Jerith*<sup>®</sup>  
 Manufacturing Co., Inc.  
 Philadelphia, PA 19154  
 (800)344-2242

DRAWING:  
**RESIDENTIAL FENCE**  
**STYLE #401 - 48" HEIGHT**

ALL POSTS TYPICALLY INSTALLED IN CONCRETE  
 IN ACCORDANCE WITH LOCAL CONDITIONS  
 AND STANDARD BUILDING PRACTICES

© 2005. This drawing may not be altered  
 or reproduced without the permission of  
 Jerith Manufacturing Co., Inc.

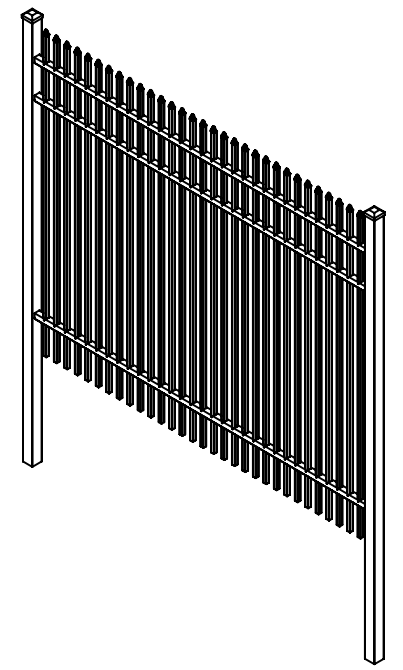
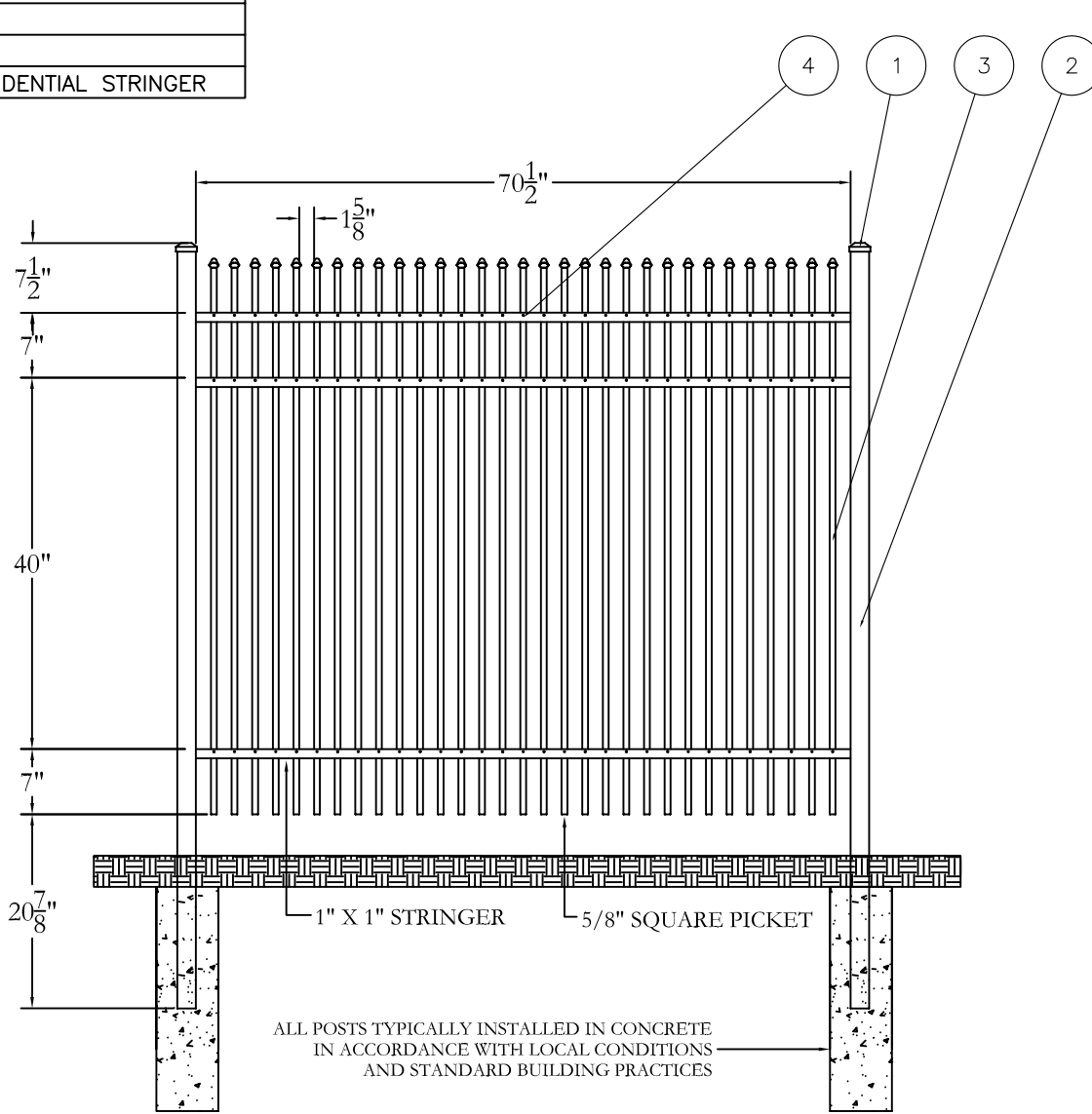
SIZE D	DWG NO. RS48U401SN	REV NC
SCALE	DATE 3-1-04	SHEET 1 OF 1

8 7 6 5 4 3 2 1

8 7 6 5 4 3 2 1

FENCE PARTS		
ITEM	QTY	NAME
1	2	2" ALUMINUM POST CAP
2	2	2" POST
3	31	R101 - 60" PICKET
4	3	72" - 31 HOLE RESIDENTIAL STRINGER

ZONE	REV	DESCRIPTION	DATE	APPROVED
-	NC	INITIAL RELEASE		



*Jerith*<sup>®</sup>  
 Manufacturing Co., Inc.  
 Philadelphia, PA 19154  
 (800)344-2242

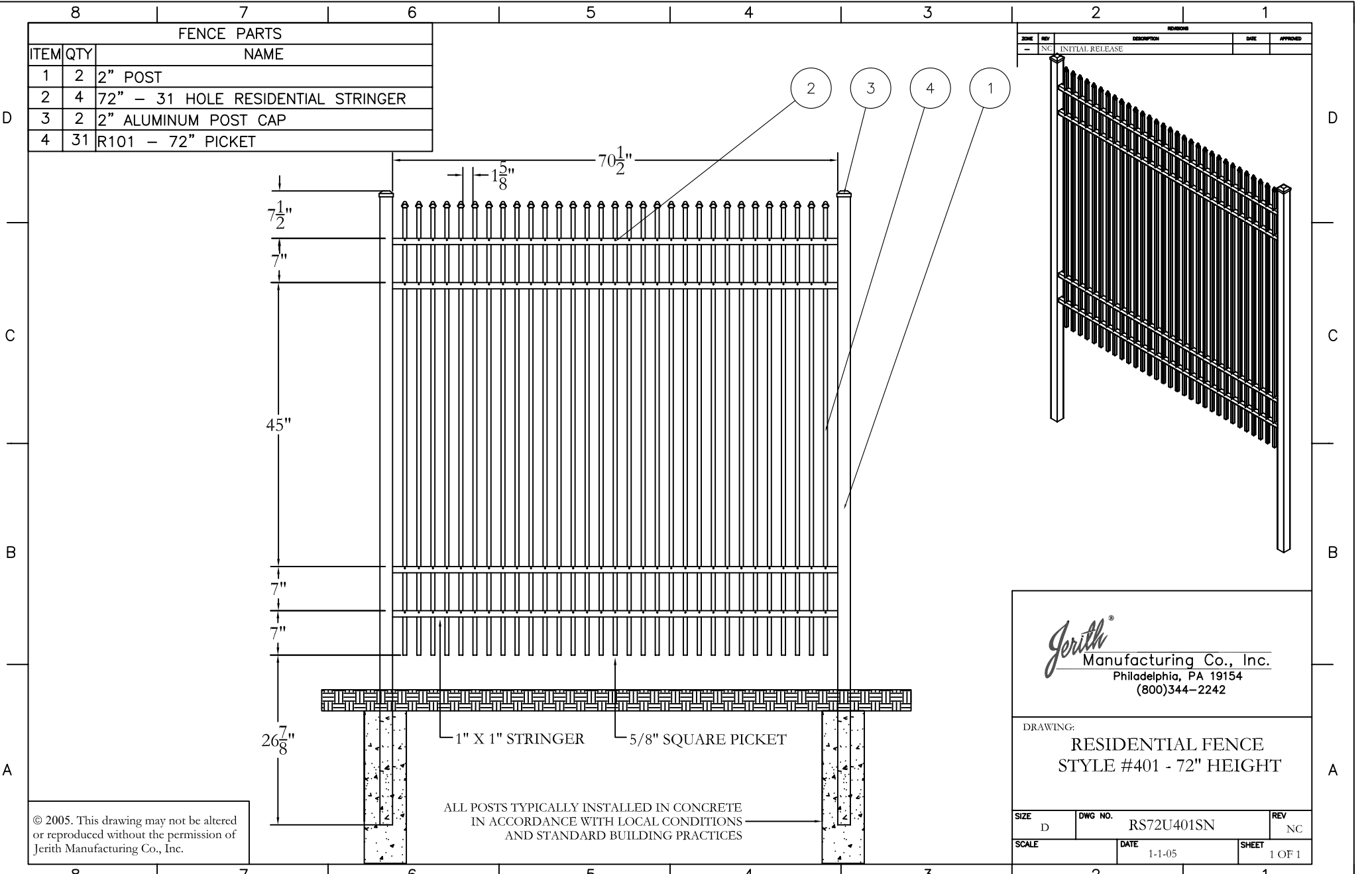
DRAWING:  
**RESIDENTIAL FENCE**  
**STYLE #401 - 60" HEIGHT**

SIZE D	DWG NO. RS60U401SN	REV NC
SCALE	DATE 1-1-05	SHEET 1 OF 1

© 2005. This drawing may not be altered or reproduced without the permission of Jerith Manufacturing Co., Inc.

FENCE PARTS		
ITEM	QTY	NAME
1	2	2" POST
2	4	72" - 31 HOLE RESIDENTIAL STRINGER
3	2	2" ALUMINUM POST CAP
4	31	R101 - 72" PICKET

ZONE	REV	DESCRIPTION	DATE	APPROVED
-	NC	INITIAL RELEASE		



*Jerith*<sup>®</sup>  
 Manufacturing Co., Inc.  
 Philadelphia, PA 19154  
 (800)344-2242

DRAWING:  
**RESIDENTIAL FENCE**  
**STYLE #401 - 72" HEIGHT**

© 2005. This drawing may not be altered or reproduced without the permission of Jerith Manufacturing Co., Inc.

ALL POSTS TYPICALLY INSTALLED IN CONCRETE IN ACCORDANCE WITH LOCAL CONDITIONS AND STANDARD BUILDING PRACTICES

SIZE D	DWG NO. RS72U401SN	REV NC
SCALE	DATE 1-1-05	SHEET 1 OF 1