

FENCE PARTS			
Name	Qty	Item	
202-48 PICKET	13	1	
70-1/2" - 13 HOLE IND. STRINGER	2	3	
2-1/2" POST	2	4	
2-1/2" ALUMINUM POST CAP	2	5	
70-1/2" - 13 HOLE IND. HEADER	1	6	

ZONE	REV	DESCRIPTION	DATE	APPROVED
-	NC	INITIAL RELEASE		

D

C

B

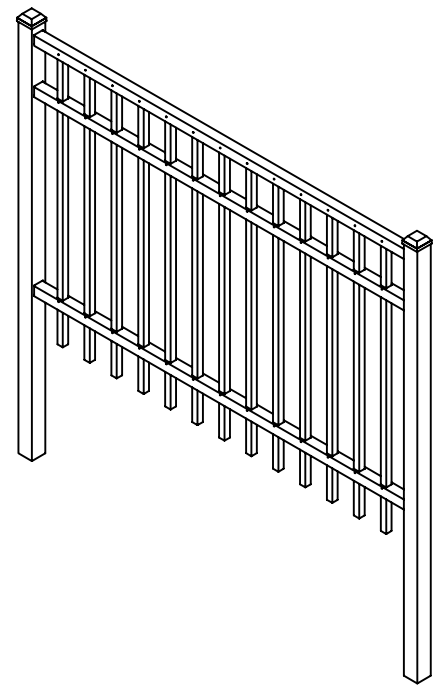
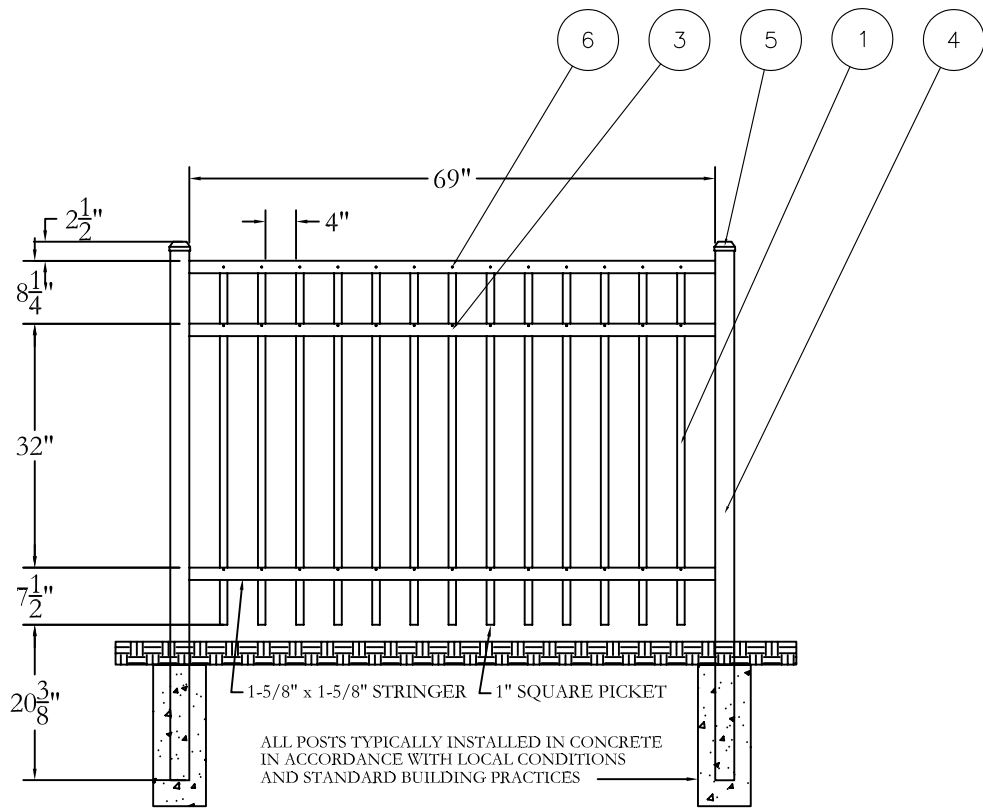
A

D

C

B

A



Jerith[®]
 Manufacturing Co., Inc.
 Philadelphia, PA 19154
 (800)344-2242

DRAWING:
INDUSTRIAL FENCE
STYLE #202 - 48" HEIGHT

© 2005. This drawing may not be altered or reproduced without the permission of Jerith Manufacturing Co., Inc.

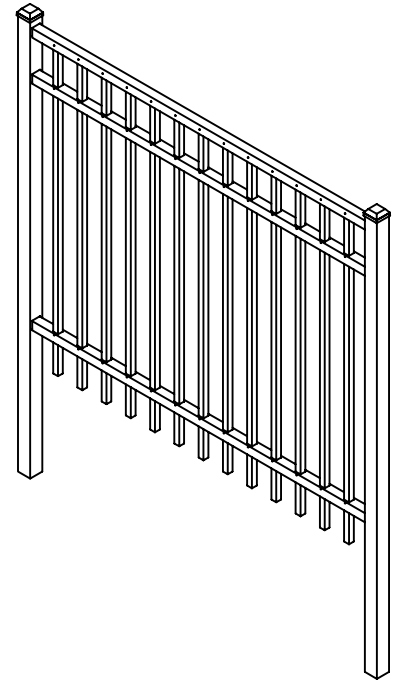
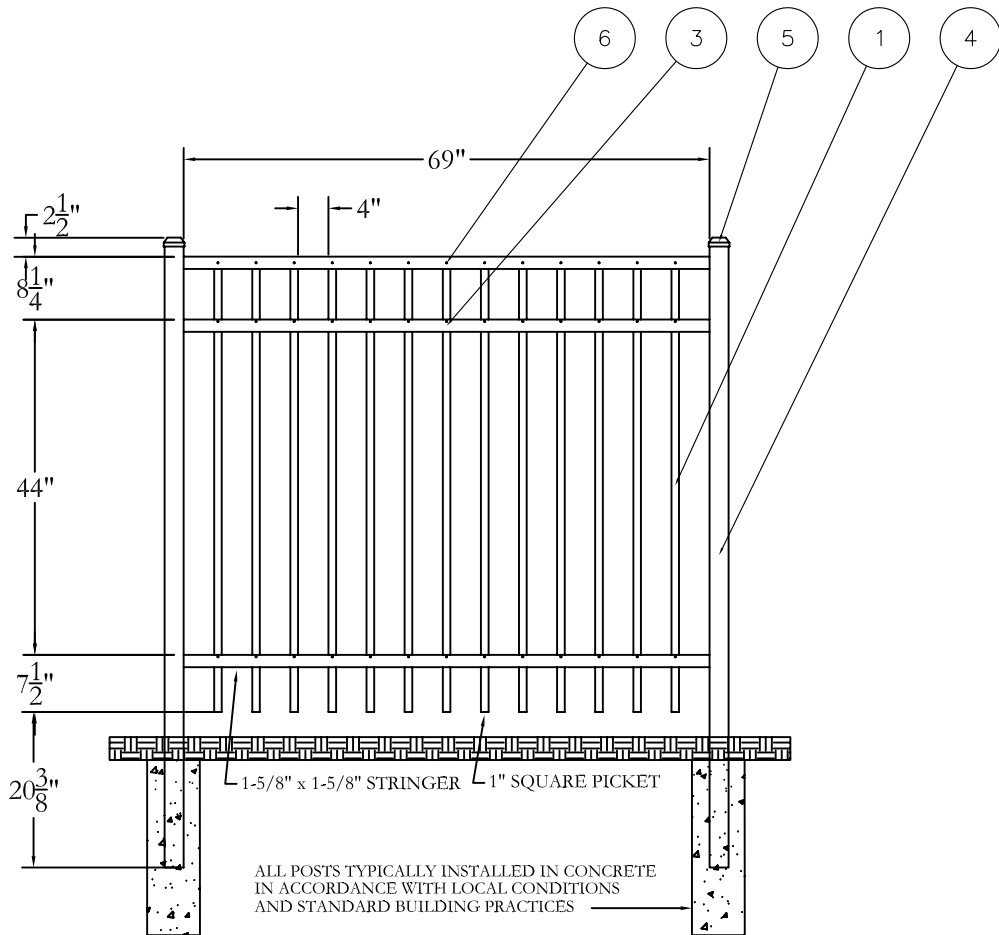
SIZE D	DWG NO. IN48U202SN	REV NC
SCALE	DATE 1-1-04	SHEET 1 OF 1

FENCE PARTS			
Name	Qty	Item	
202-60 PICKET	13	1	
70-1/2" - 13 HOLE IND. STRINGER	2	3	
2-1/2" POST	2	4	
2-1/2" ALUMINUM POST CAP	2	5	
70-1/2" - 13 HOLE IND HEADER	1	6	

ZONE	REV	DESCRIPTION	DATE	APPROVED
-	NC	INITIAL RELEASE		

D
C
B
A

D
C
B
A



Jerith[®]
 Manufacturing Co., Inc.
 Philadelphia, PA 19154
 (800)344-2242

DRAWING:
INDUSTRIAL FENCE
STYLE #202 - 60" HEIGHT

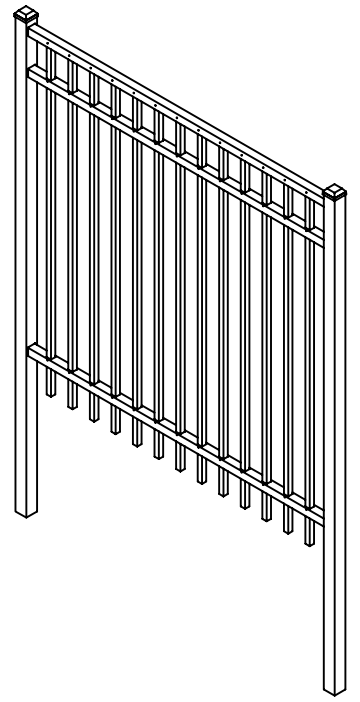
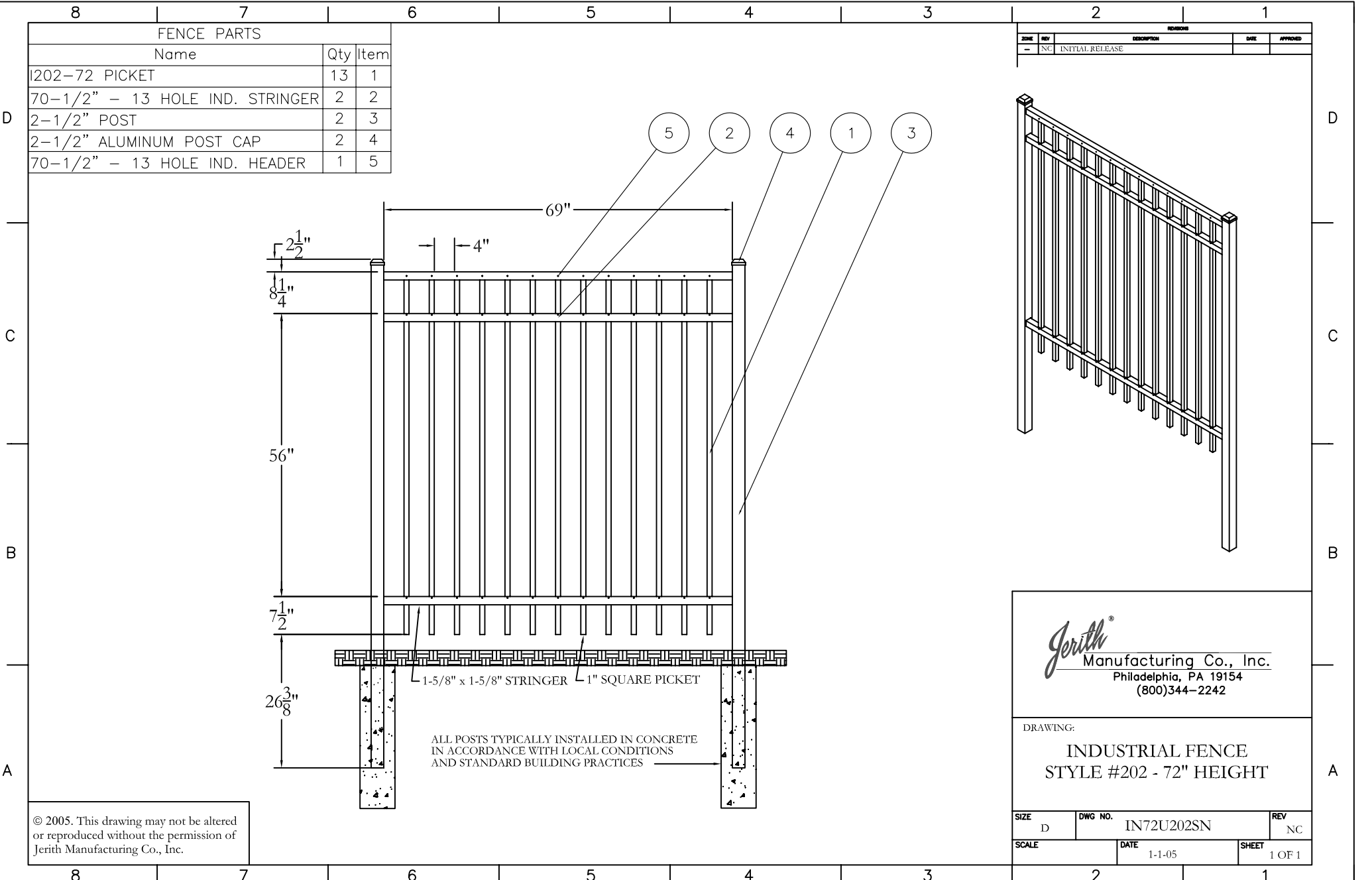
© 2005. This drawing may not be altered or reproduced without the permission of Jerith Manufacturing Co., Inc.

SIZE D	DWG NO. IN60U202SN	REV NC
SCALE	DATE 1-1-05	SHEET 1 OF 1

8 7 6 5 4 3 2 1

FENCE PARTS			
Name	Qty	Item	
202-72 PICKET	13	1	
70-1/2" - 13 HOLE IND. STRINGER	2	2	
2-1/2" POST	2	3	
2-1/2" ALUMINUM POST CAP	2	4	
70-1/2" - 13 HOLE IND. HEADER	1	5	

ZONE	REV	DESCRIPTION	DATE	APPROVED
-	NC	INITIAL RELEASE		



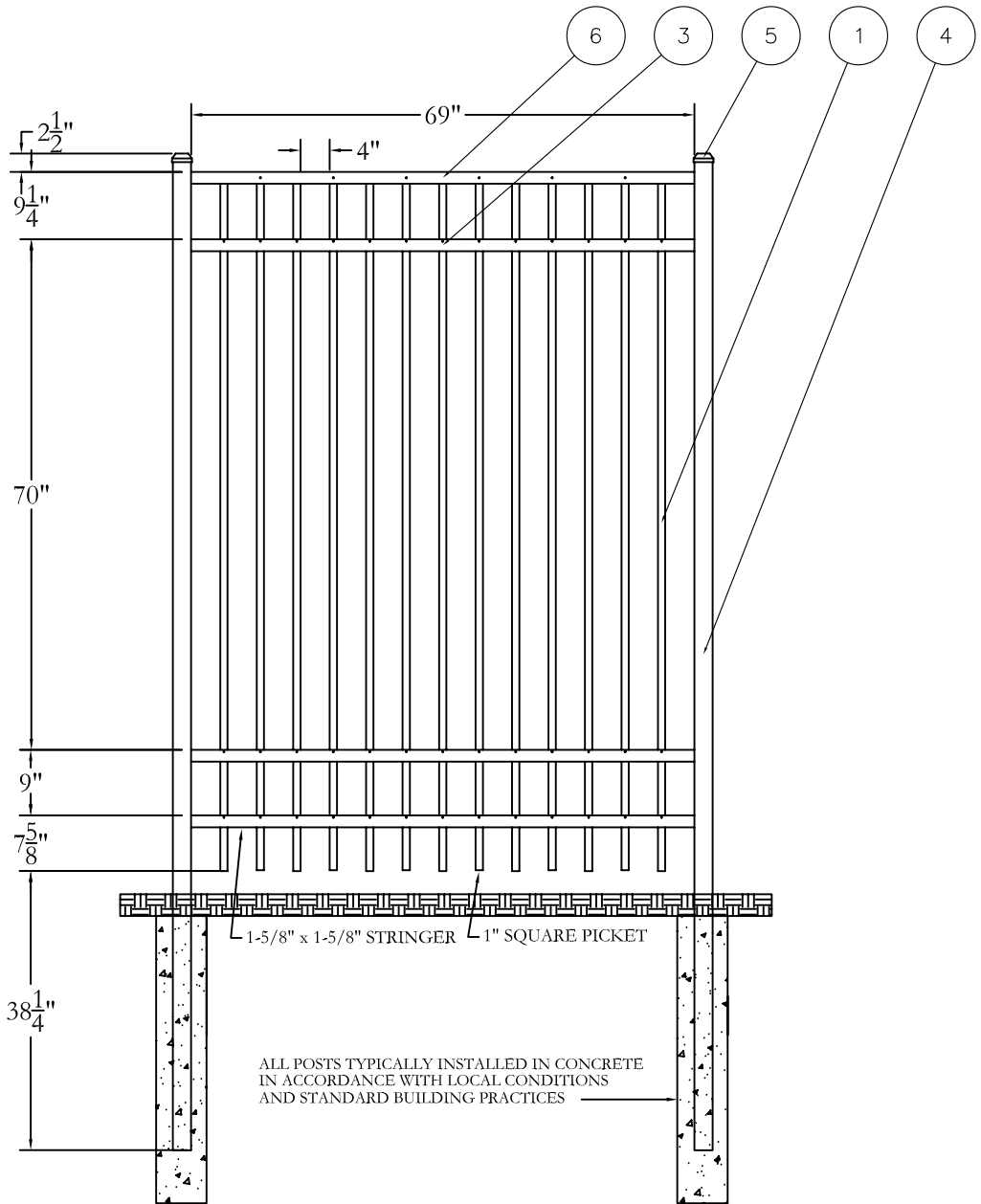
Jerith[®]
 Manufacturing Co., Inc.
 Philadelphia, PA 19154
 (800)344-2242

DRAWING:
**INDUSTRIAL FENCE
 STYLE #202 - 72" HEIGHT**

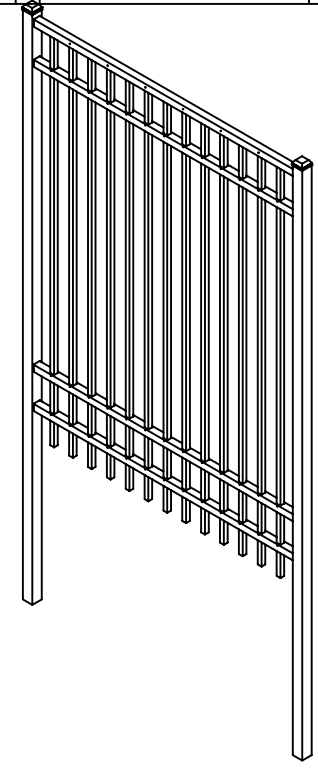
© 2005. This drawing may not be altered or reproduced without the permission of Jerith Manufacturing Co., Inc.

SIZE D	DWG NO. IN72U202SN	REV NC
SCALE	DATE 1-1-05	SHEET 1 OF 1

FENCE PARTS		Qty	Item
Name			
202-96 PICKET		13	1
70-1/2" - 13 HOLE IND. STRINGER		3	3
2-1/2" POST		2	4
2-1/2" ALUMINIUM POST CAP		2	5
70-1/2" - 13 HOLE IND. HEADER		1	6



ZONE	REV	DESCRIPTION	DATE	APPROVED
-	1	INITIAL RELEASE		



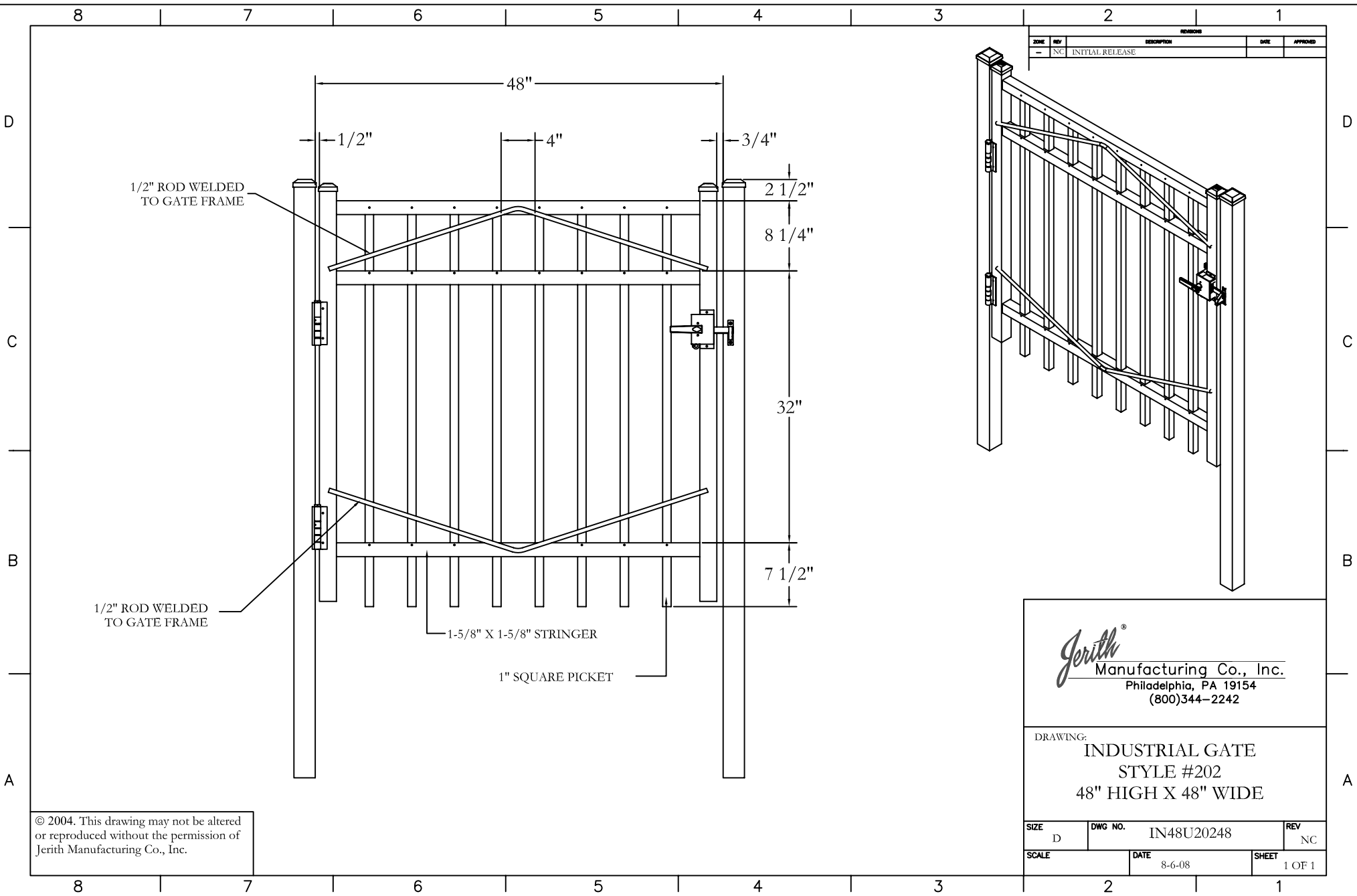
Jerith[®]
 Manufacturing Co., Inc.
 Philadelphia, PA 19154
 (800)344-2242

DRAWING:
INDUSTRIAL FENCE
STYLE #202 - 96" HEIGHT

SIZE D	DWG NO. IN96U202SN	REV NC
SCALE	DATE 1-1-05	SHEET 1 OF 1

© 2005. This drawing may not be altered or reproduced without the permission of Jerith Manufacturing Co., Inc.

ZONE		REV	DESCRIPTION	DATE	APPROVED
-	NC		INITIAL RELEASE		

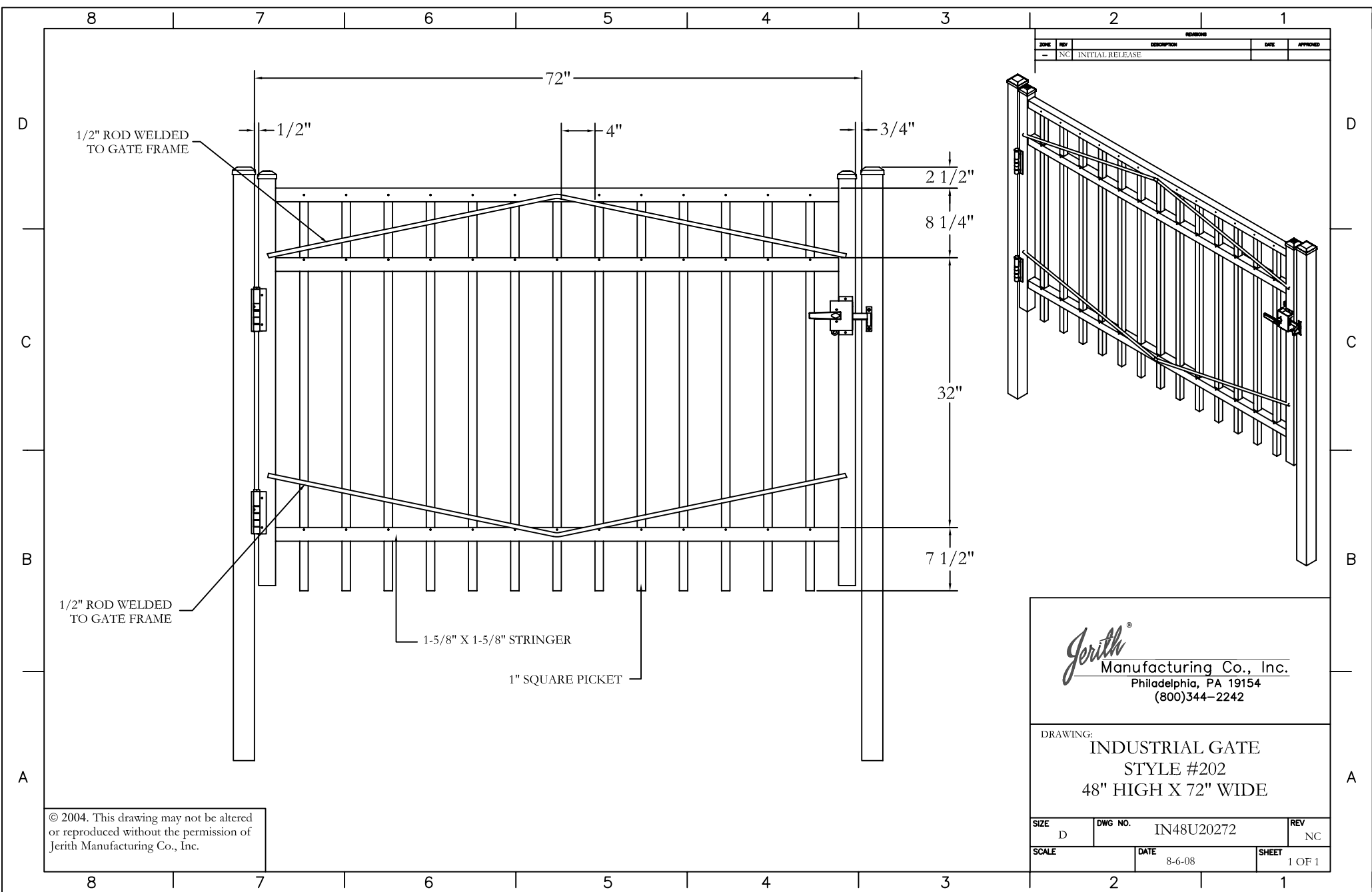


© 2004. This drawing may not be altered or reproduced without the permission of Jerith Manufacturing Co., Inc.

Jerith[®]
 Manufacturing Co., Inc.
 Philadelphia, PA 19154
 (800)344-2242

DRAWING:
INDUSTRIAL GATE
STYLE #202
48" HIGH X 48" WIDE

SIZE D	DWG NO. IN48U20248	REV NC
SCALE	DATE 8-6-08	SHEET 1 OF 1



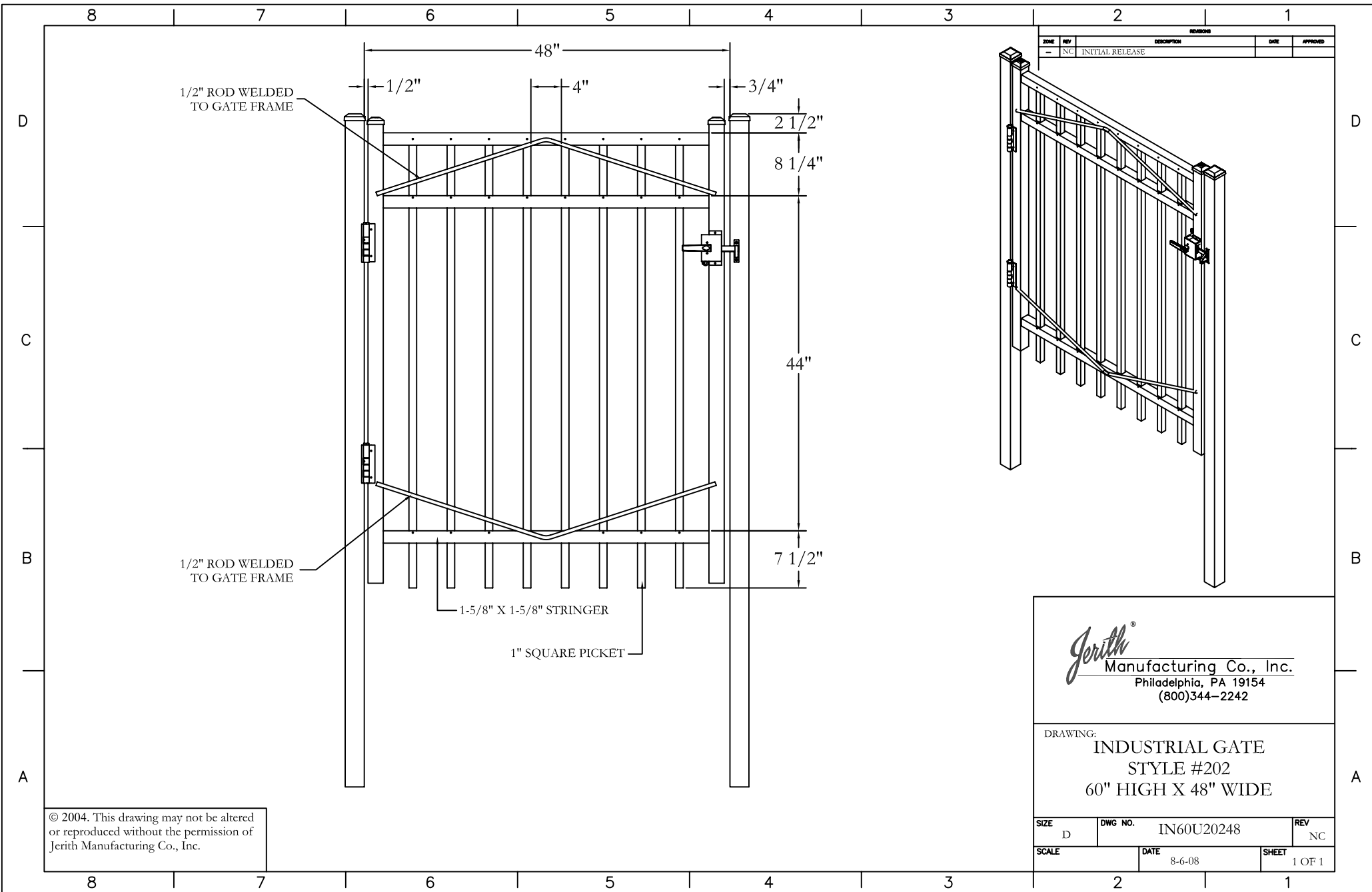
ZONE		REV	DESCRIPTION	DATE	APPROVED
-	NC		INITIAL RELEASE		

Jerith[®]
 Manufacturing Co., Inc.
 Philadelphia, PA 19154
 (800)344-2242

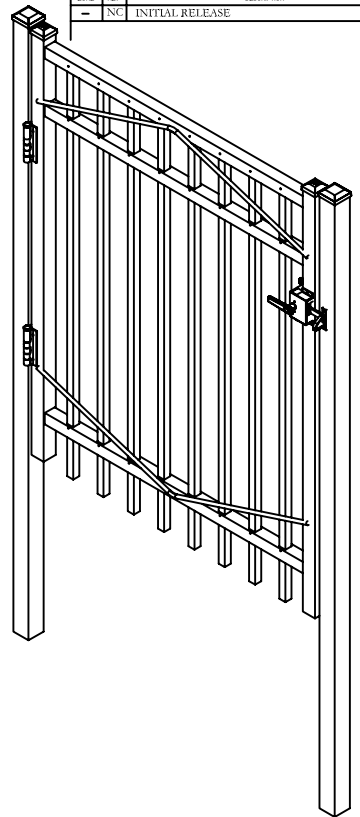
DRAWING:
INDUSTRIAL GATE
STYLE #202
48" HIGH X 72" WIDE

SIZE D	DWG NO. IN48U20272	REV NC
SCALE	DATE 8-6-08	SHEET 1 OF 1

© 2004. This drawing may not be altered or reproduced without the permission of Jerith Manufacturing Co., Inc.



ZONE		REV	DESCRIPTION	DATE	APPROVED
-	NC		INITIAL RELEASE		



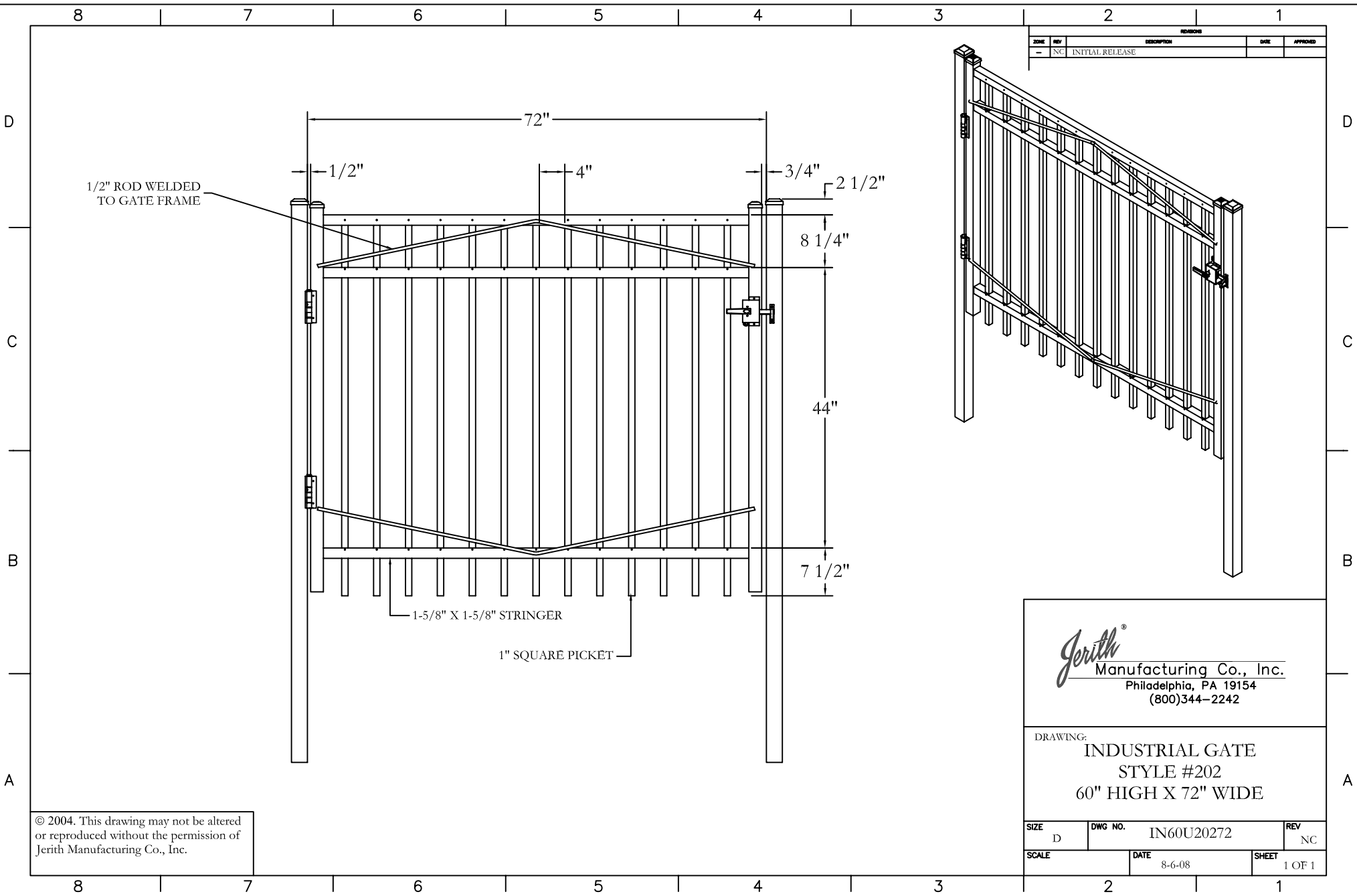
Jerith[®]
 Manufacturing Co., Inc.
 Philadelphia, PA 19154
 (800)344-2242

DRAWING:
INDUSTRIAL GATE
STYLE #202
60" HIGH X 48" WIDE

SIZE D	DWG NO. IN60U20248	REV NC
SCALE	DATE 8-6-08	SHEET 1 OF 1

© 2004. This drawing may not be altered or reproduced without the permission of Jerith Manufacturing Co., Inc.

ZONE	REV	DESCRIPTION	DATE	APPROVED
-	NC	INITIAL RELEASE		

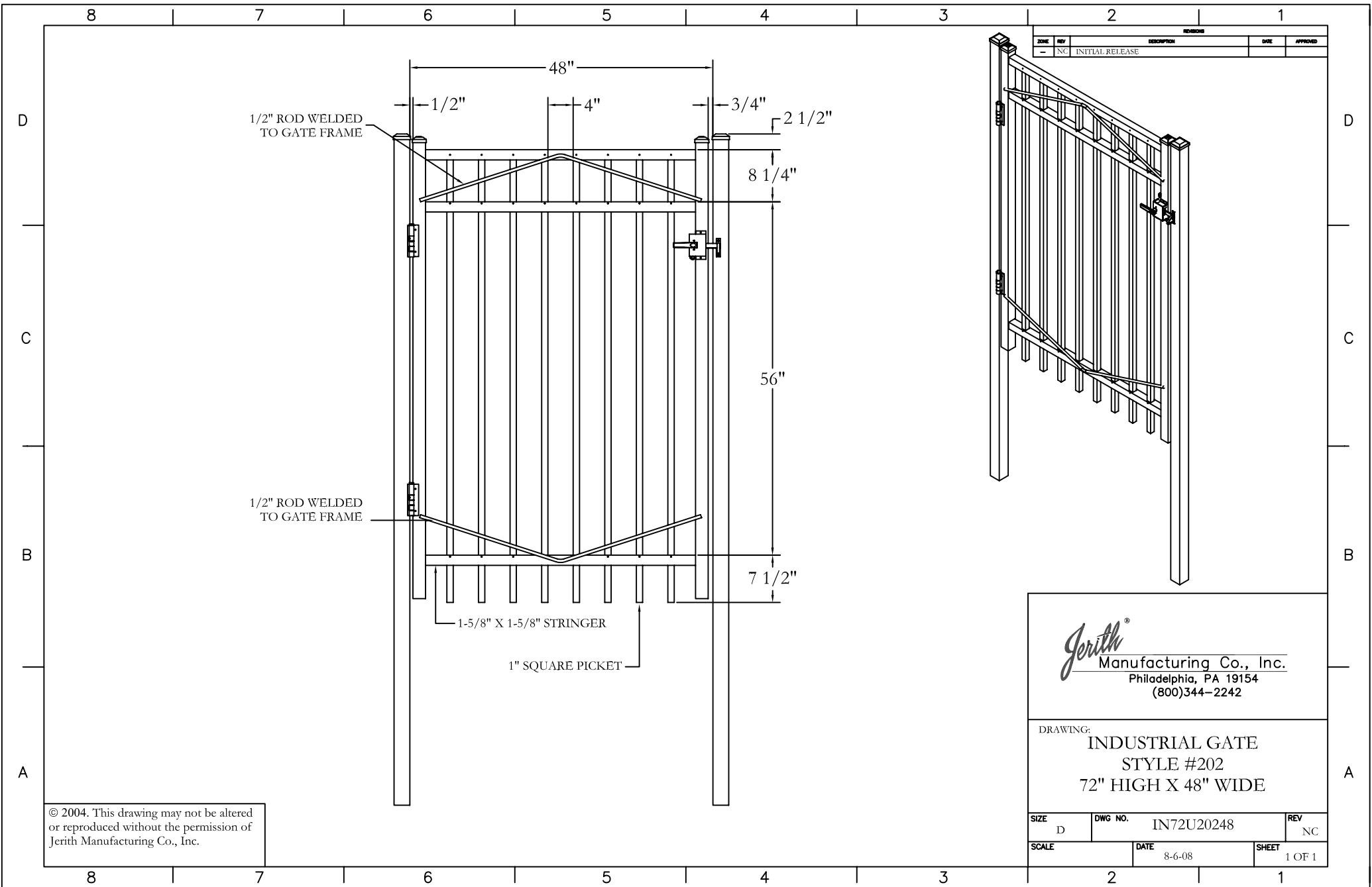


© 2004. This drawing may not be altered or reproduced without the permission of Jerith Manufacturing Co., Inc.

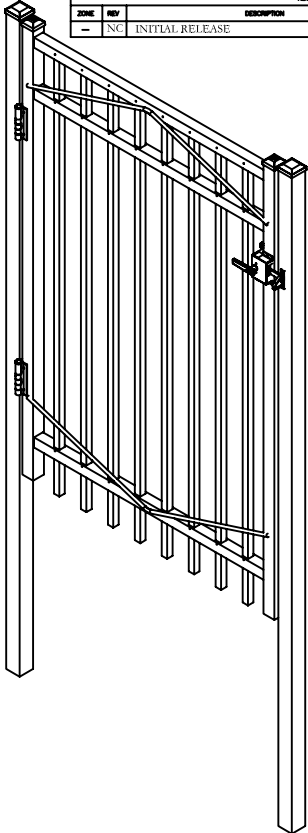
Jerith[®]
 Manufacturing Co., Inc.
 Philadelphia, PA 19154
 (800)344-2242

DRAWING:
INDUSTRIAL GATE
STYLE #202
60" HIGH X 72" WIDE

SIZE D	DWG NO. IN60U20272	REV NC
SCALE	DATE 8-6-08	SHEET 1 OF 1



ZONE		REV	DESCRIPTION	DATE	APPROVED
-	NC		INITIAL RELEASE		

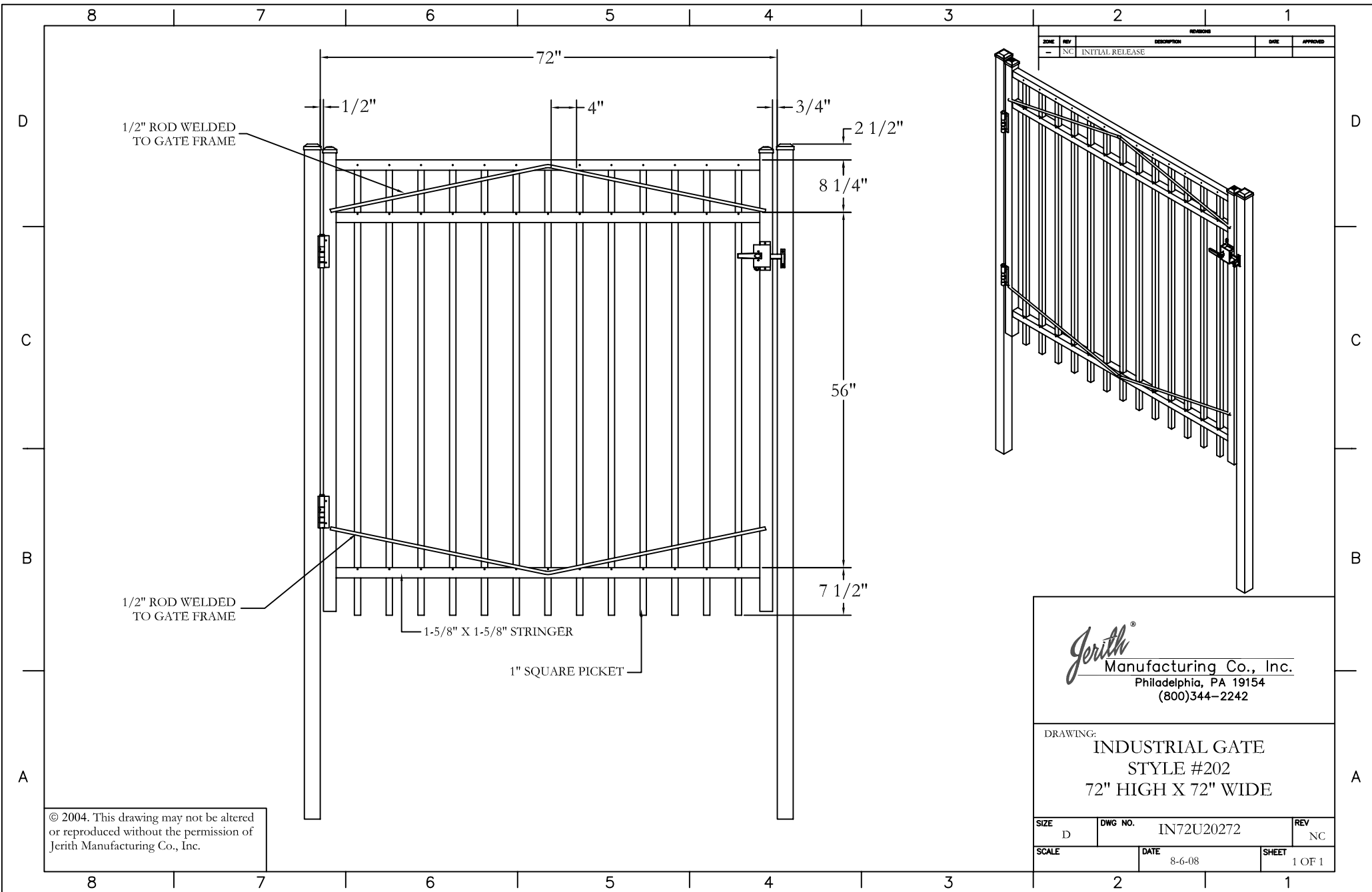


Jerith[®]
 Manufacturing Co., Inc.
 Philadelphia, PA 19154
 (800)344-2242

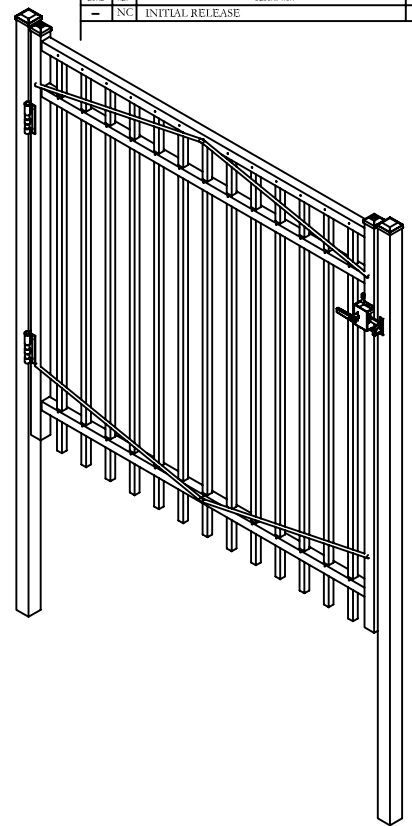
DRAWING:
INDUSTRIAL GATE
STYLE #202
72" HIGH X 48" WIDE

© 2004. This drawing may not be altered or reproduced without the permission of Jerith Manufacturing Co., Inc.

SIZE D	DWG NO. IN72U20248	REV NC
SCALE	DATE 8-6-08	SHEET 1 OF 1



ZONE		REV	DESCRIPTION	DATE	APPROVED
-	NC		INITIAL RELEASE		



Jerith[®]
 Manufacturing Co., Inc.
 Philadelphia, PA 19154
 (800)344-2242

DRAWING:
INDUSTRIAL GATE
STYLE #202
72" HIGH X 72" WIDE

SIZE D	DWG NO. IN72U20272	REV NC
SCALE	DATE 8-6-08	SHEET 1 OF 1

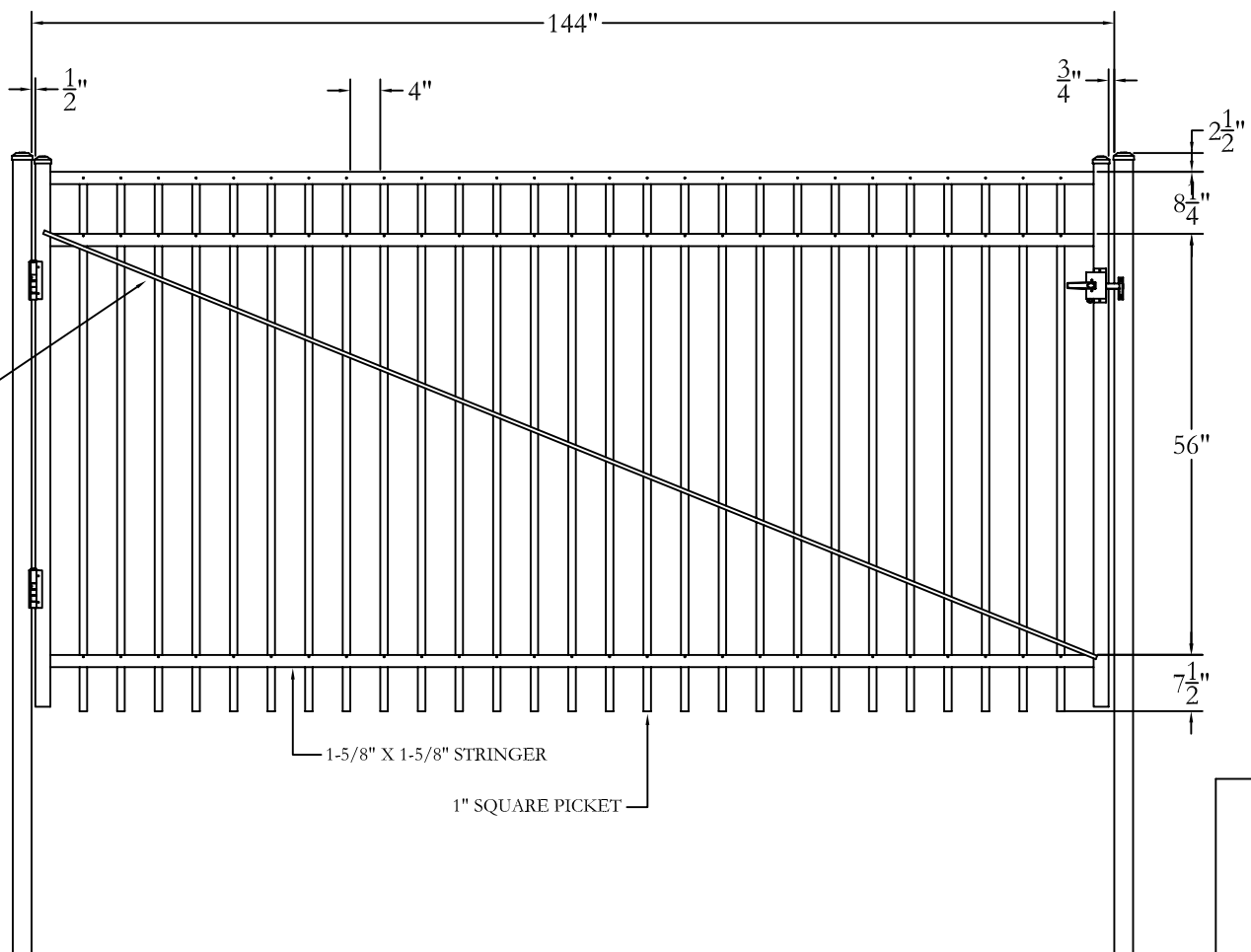
© 2004. This drawing may not be altered or reproduced without the permission of Jerith Manufacturing Co., Inc.

8 | 7 | 6 | 5 | 4 | 3 | 2 | 1

ZONE		REV	DESCRIPTION	DATE	APPROVED
-	NC		INITIAL RELEASE		

D
C
B
A

D
C
B
A



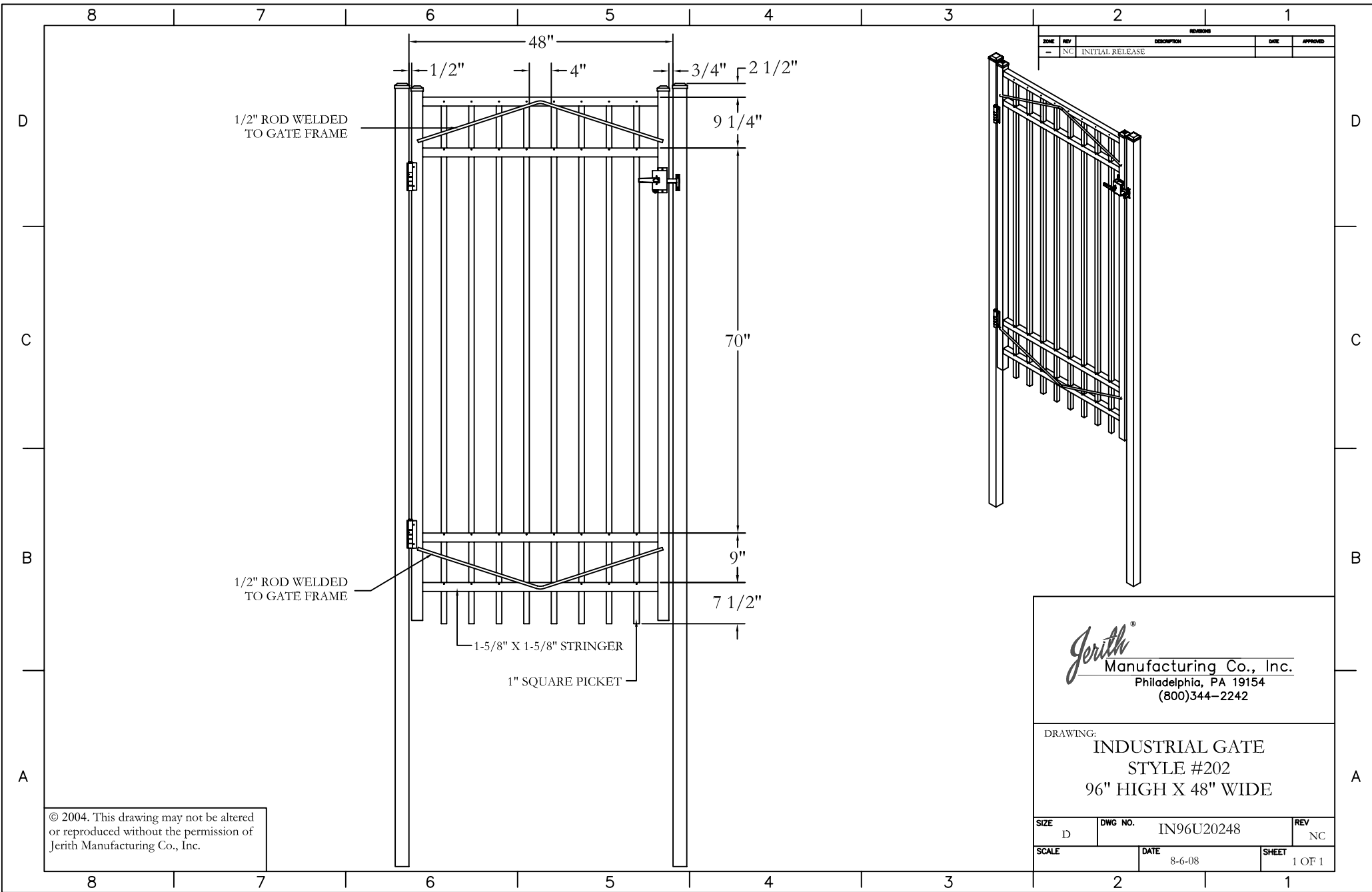
Jerith[®]
 Manufacturing Co., Inc.
 Philadelphia, PA 19154
 (800)344-2242

DRAWING:
INDUSTRIAL GATE
STYLE #202
72" HIGH X 144" WIDE

© 2004. This drawing may not be altered or reproduced without the permission of Jerith Manufacturing Co., Inc.

SIZE D	DWG NO. IN72U202144	REV NC
SCALE	DATE 3-1-04	SHEET 1 OF 1

8 | 7 | 6 | 5 | 4 | 3 | 2 | 1



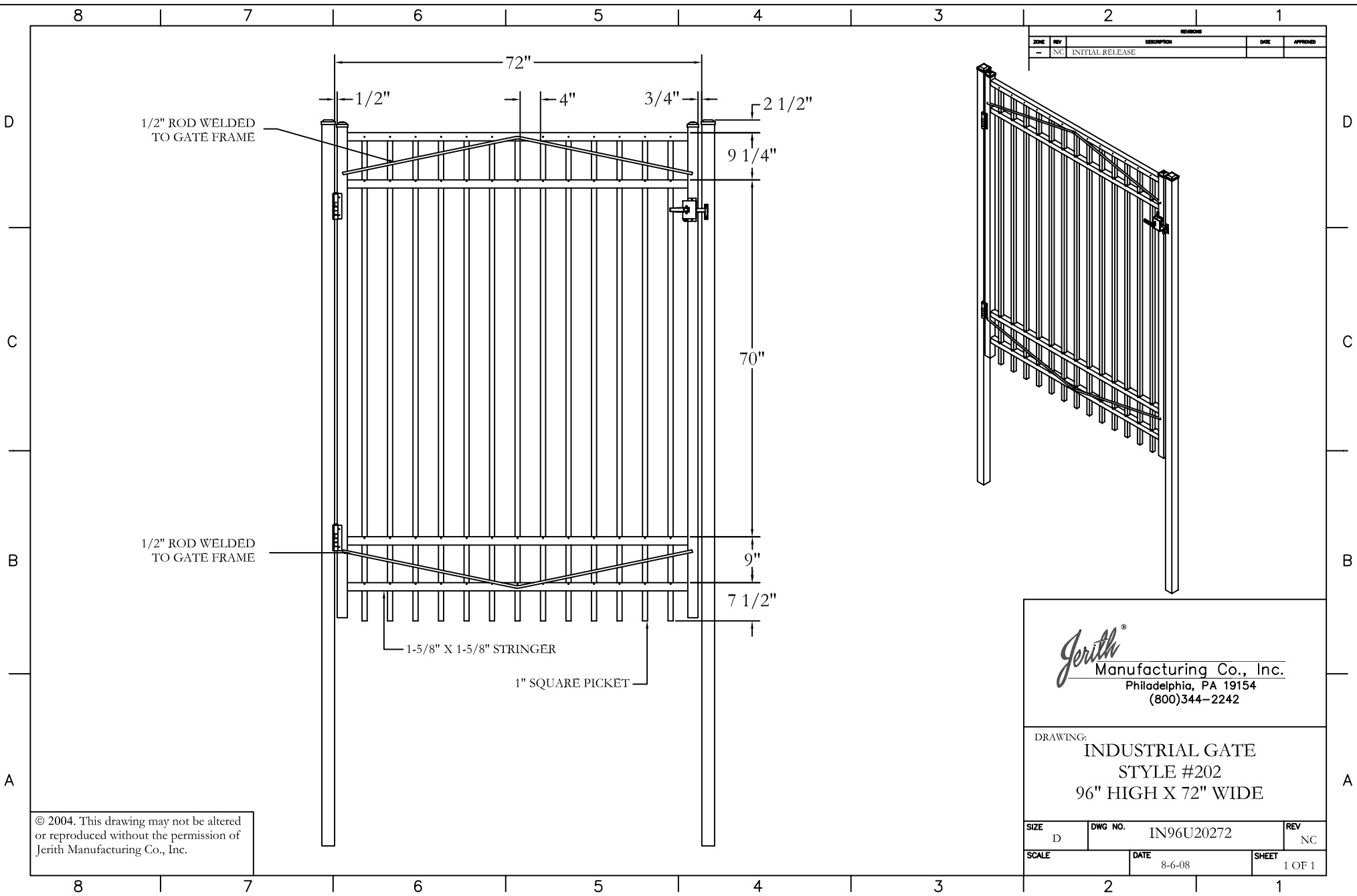
© 2004. This drawing may not be altered or reproduced without the permission of Jerith Manufacturing Co., Inc.

Jerith[®]
 Manufacturing Co., Inc.
 Philadelphia, PA 19154
 (800)344-2242

DRAWING:
INDUSTRIAL GATE
STYLE #202
96" HIGH X 48" WIDE

SIZE D	DWG NO. IN96U20248	REV NC
SCALE	DATE 8-6-08	SHEET 1 OF 1

ZONE		REV	DESCRIPTION	DATE	APPROVED
-	NC		INITIAL RELEASE		



1/2" ROD WELDED TO GATE FRAME

1/2" ROD WELDED TO GATE FRAME

1-5/8" X 1-5/8" STRINGER

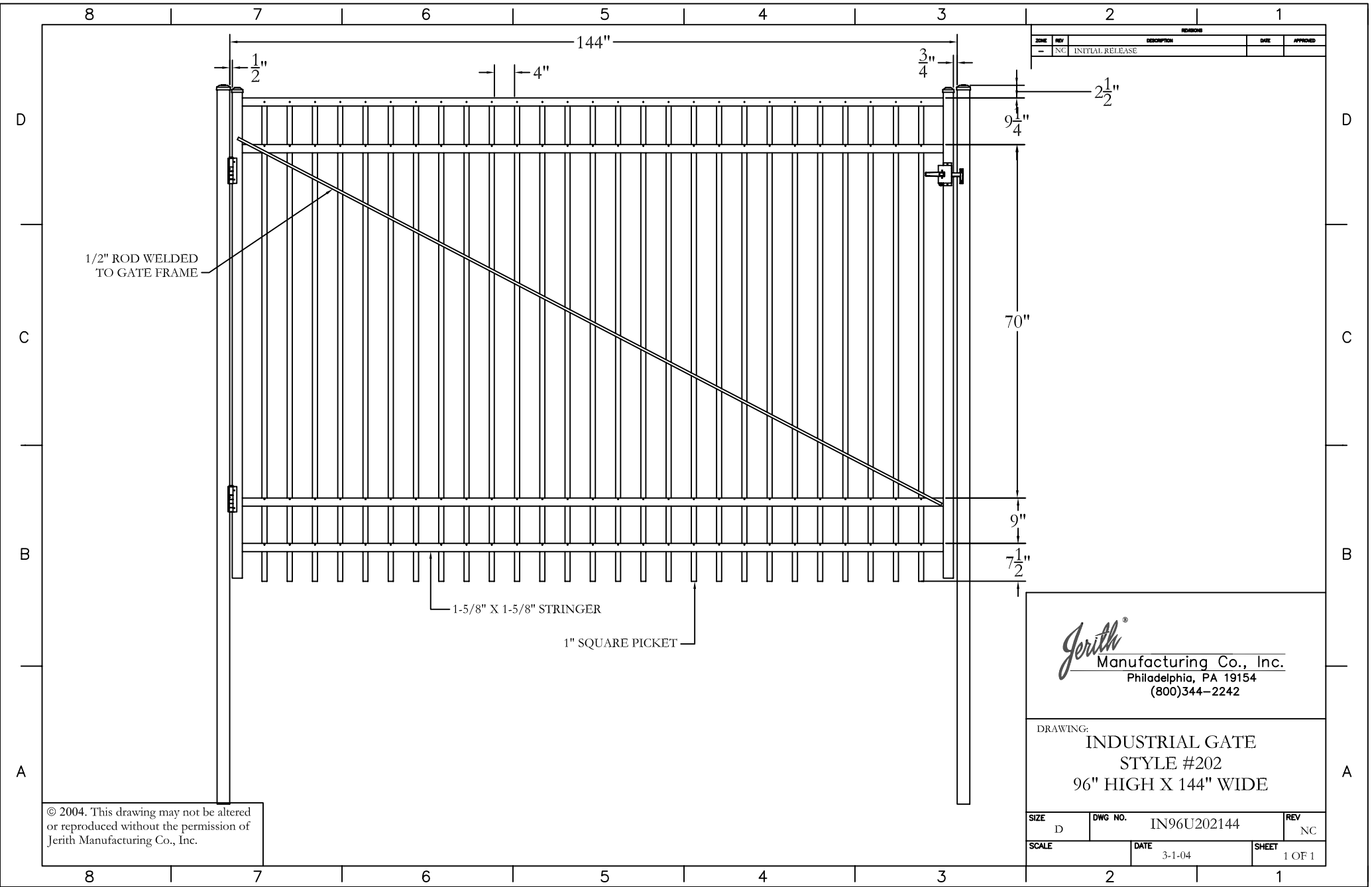
1" SQUARE PICKET

Jerith[®]
 Manufacturing Co., Inc.
 Philadelphia, PA 19154
 (800)344-2242

DRAWING:
 INDUSTRIAL GATE
 STYLE #202
 96" HIGH X 72" WIDE

© 2004. This drawing may not be altered or reproduced without the permission of Jerith Manufacturing Co., Inc.

SIZE D	DWG NO. IN96U20272	REV NC
SCALE	DATE 8-6-08	SHEET 1 OF 1



ZONE		REV	DESCRIPTION	DATE	APPROVED
1		NC	INITIAL RELEASE		

1/2" ROD WELDED TO GATE FRAME

1-5/8" X 1-5/8" STRINGER

1" SQUARE PICKET

Jerith[®]
 Manufacturing Co., Inc.
 Philadelphia, PA 19154
 (800)344-2242

DRAWING:
 INDUSTRIAL GATE
 STYLE #202
 96" HIGH X 144" WIDE

© 2004. This drawing may not be altered or reproduced without the permission of Jerith Manufacturing Co., Inc.

SIZE D	DWG NO. IN96U202144	REV NC
SCALE	DATE 3-1-04	SHEET 1 OF 1