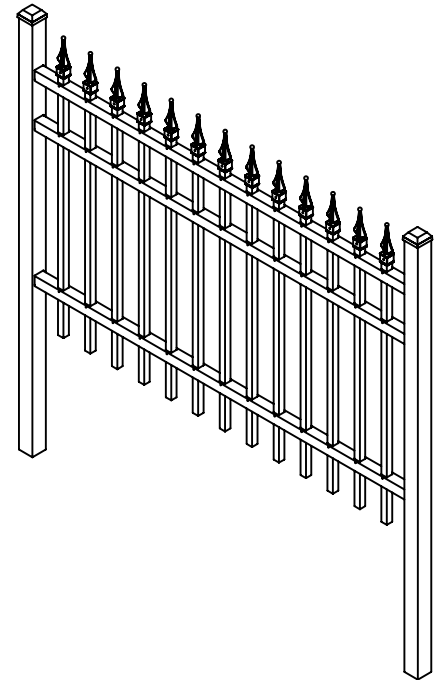
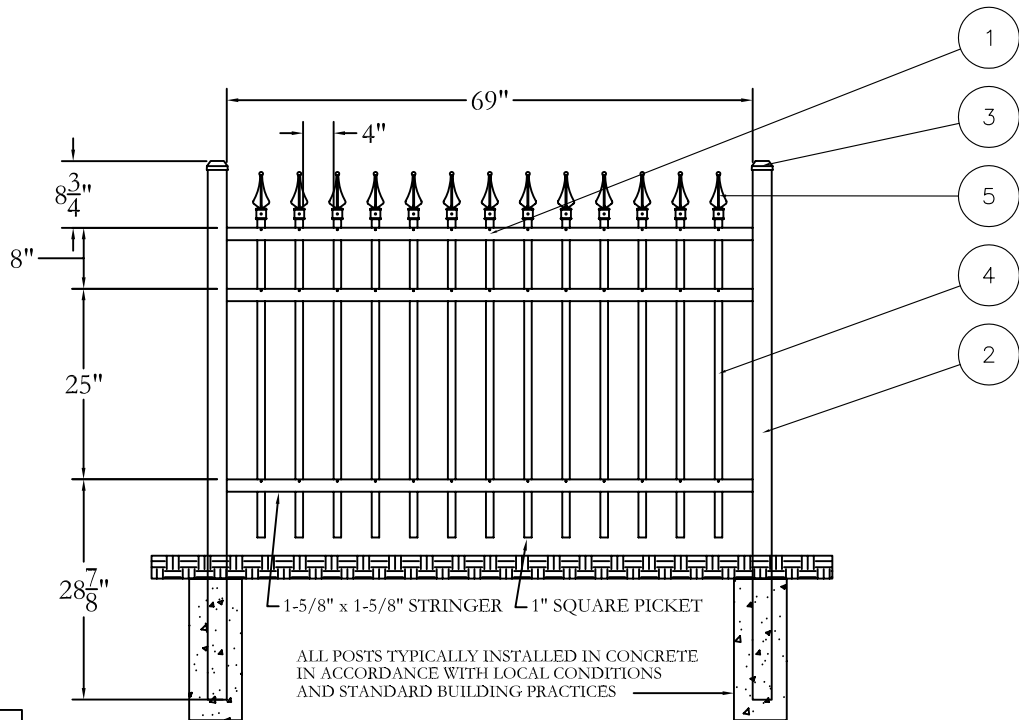


FENCE PARTS			
Name	Qty	Item	
70-1/2" - 13 HOLE IND. STRINGER	3	1	
2-1/2" POST	2	2	
2-1/2" ALUMINUM POST CAP	2	3	
1111-48 PICKET	13	4	
IMPERIAL FINIAL	13	5	

ZONE	REV	DESCRIPTION	DATE	APPROVED
-	NC	INITIAL RELEASE		



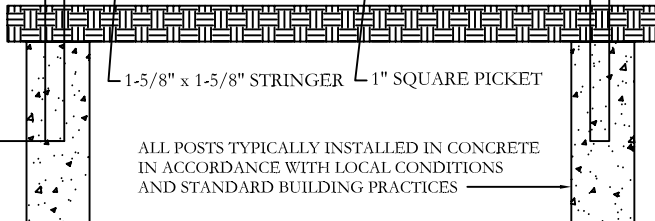
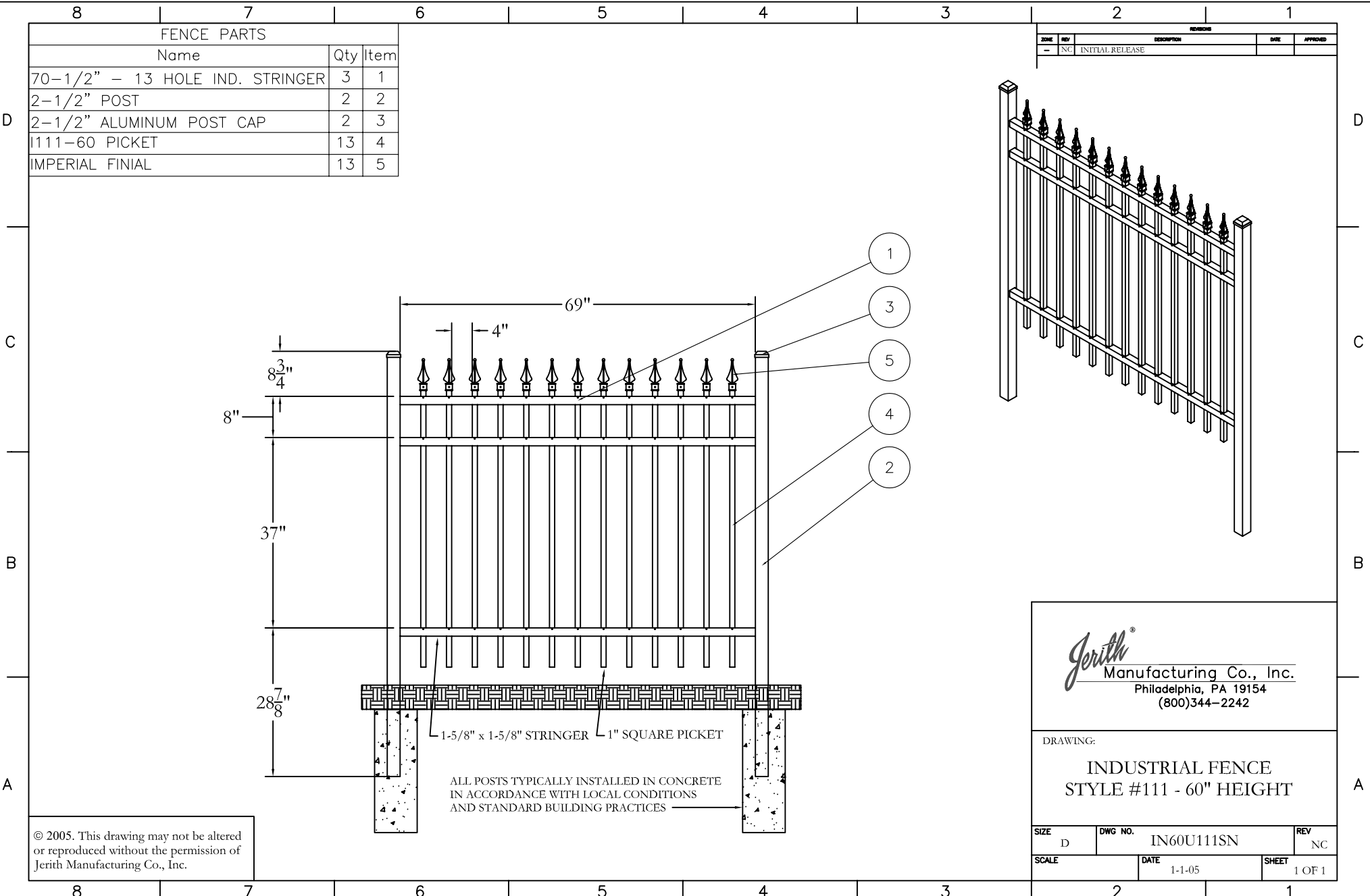
Jerith[®]
 Manufacturing Co., Inc.
 Philadelphia, PA 19154
 (800)344-2242

DRAWING:				
INDUSTRIAL FENCE STYLE #111 - 48" HEIGHT				
SIZE	DWG NO.	REV		
D	IN48U111SN	NC		
SCALE	DATE	SHEET	REV	
	1-1-05	1 OF 1		

© 2005. This drawing may not be altered or reproduced without the permission of Jerith Manufacturing Co., Inc.

FENCE PARTS			
Name	Qty	Item	
70-1/2" - 13 HOLE IND. STRINGER	3	1	
2-1/2" POST	2	2	
2-1/2" ALUMINUM POST CAP	2	3	
1111-60 PICKET	13	4	
IMPERIAL FINIAL	13	5	

ZONE	REV	DESCRIPTION	DATE	APPROVED
-	NC	INITIAL RELEASE		



Jerith[®]
 Manufacturing Co., Inc.
 Philadelphia, PA 19154
 (800)344-2242

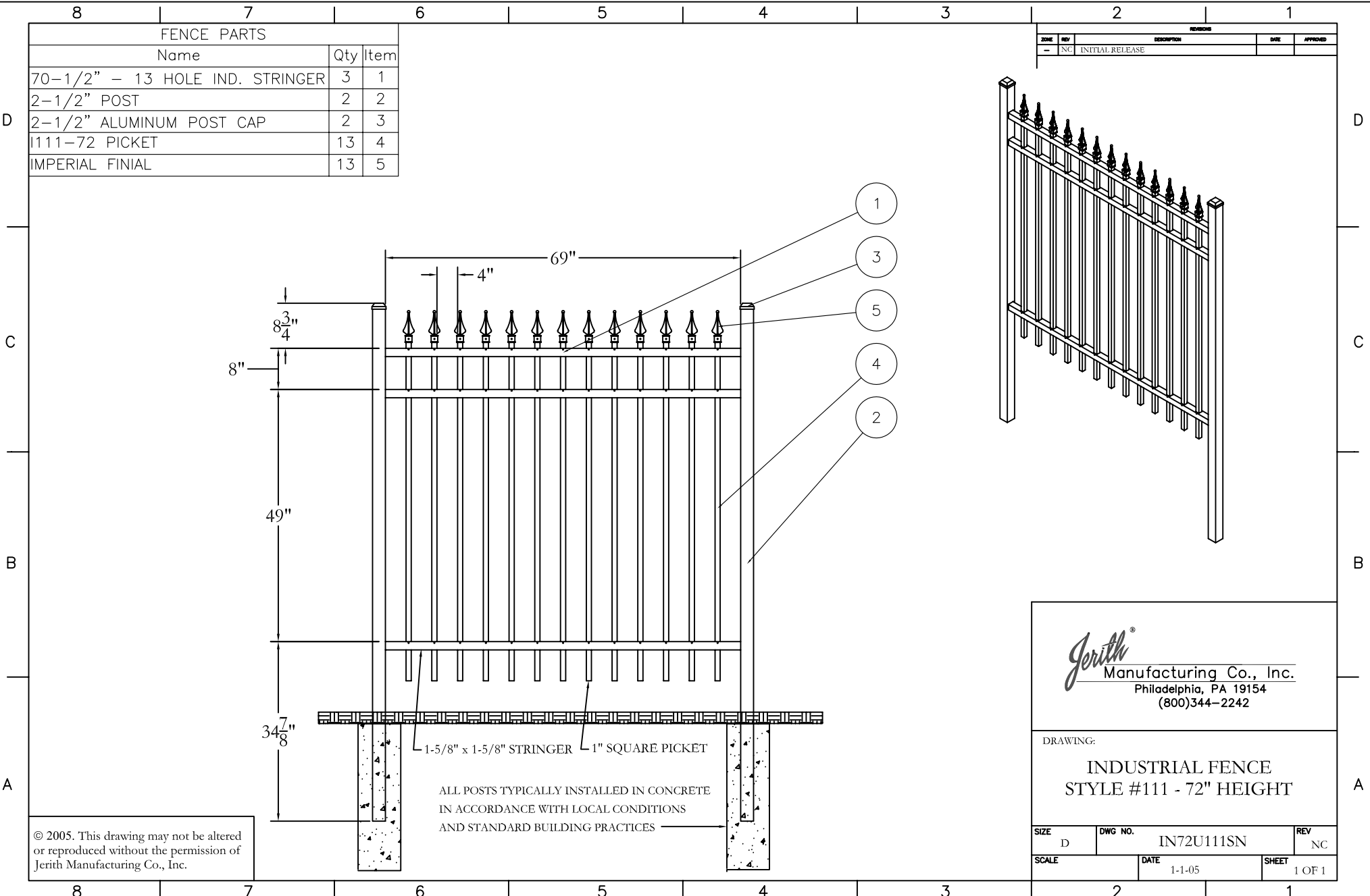
DRAWING:
**INDUSTRIAL FENCE
 STYLE #111 - 60" HEIGHT**

SIZE D	DWG NO. IN60U111SN	REV NC
SCALE	DATE 1-1-05	SHEET 1 OF 1

© 2005. This drawing may not be altered or reproduced without the permission of Jerith Manufacturing Co., Inc.

FENCE PARTS			
Name	Qty	Item	
70-1/2" - 13 HOLE IND. STRINGER	3	1	
2-1/2" POST	2	2	
2-1/2" ALUMINUM POST CAP	2	3	
1111-72 PICKET	13	4	
IMPERIAL FINIAL	13	5	

ZONE	REV	DESCRIPTION	DATE	APPROVED
-	NC	INITIAL RELEASE		



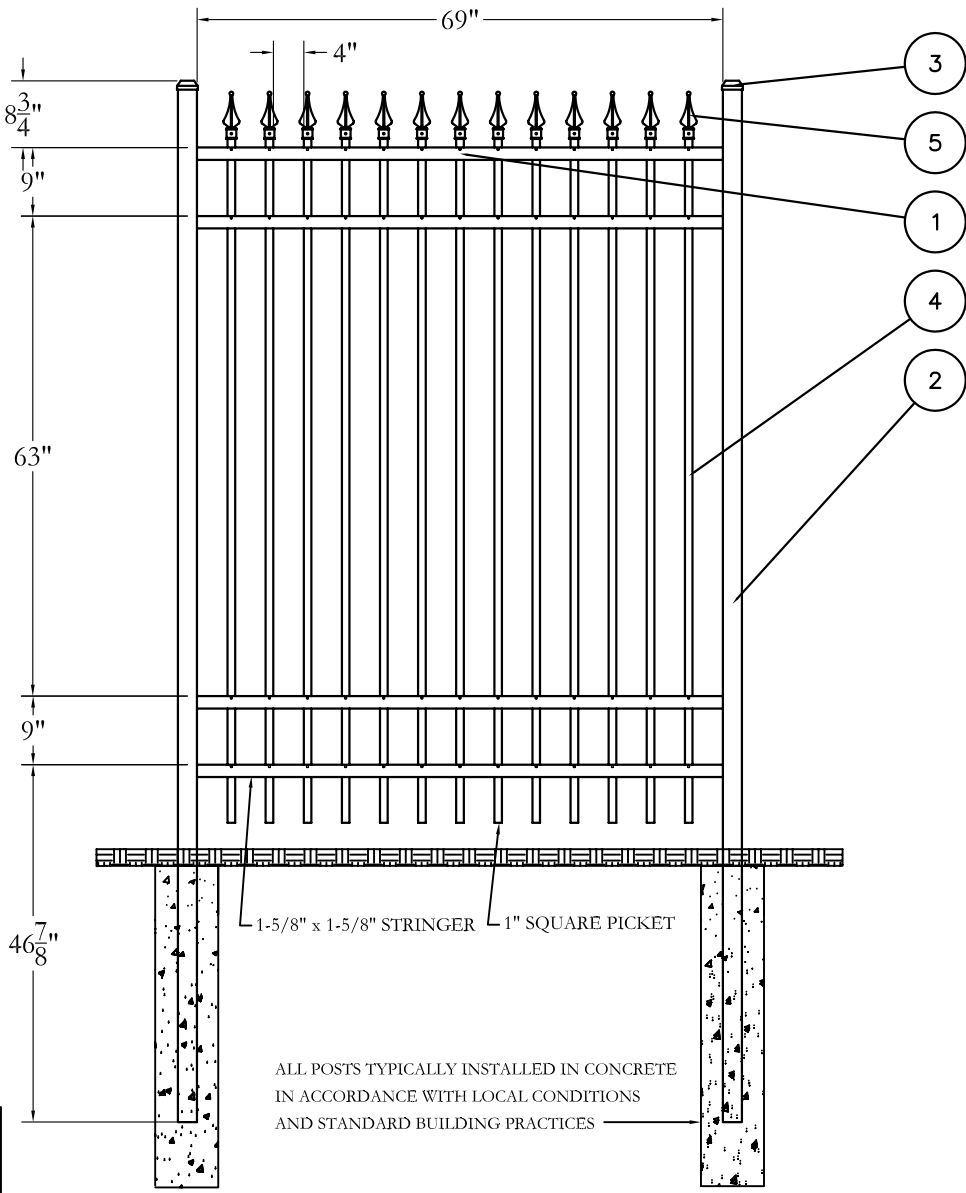
© 2005. This drawing may not be altered or reproduced without the permission of Jerith Manufacturing Co., Inc.

ALL POSTS TYPICALLY INSTALLED IN CONCRETE IN ACCORDANCE WITH LOCAL CONDITIONS AND STANDARD BUILDING PRACTICES

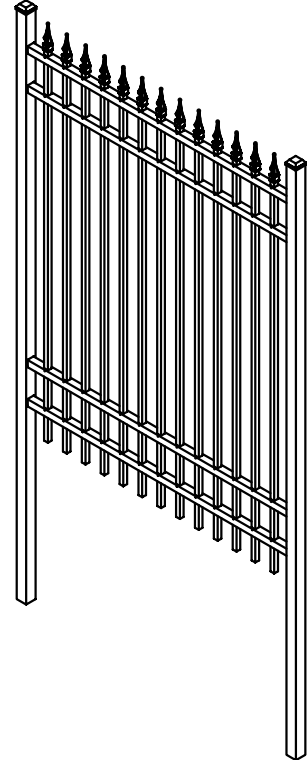
Jerith[®]
 Manufacturing Co., Inc.
 Philadelphia, PA 19154
 (800)344-2242

DRAWING:				
INDUSTRIAL FENCE STYLE #111 - 72" HEIGHT				
SIZE D	DWG NO. IN72U111SN	REV NC		
SCALE	DATE 1-1-05	SHEET 1 OF 1		

FENCE PARTS		Qty	Item
Name			
70-1/2" - 13 HOLE IND. STRINGER		4	1
2-1/2" POST		2	2
2-1/2" ALUMINIUM POST CAP		2	3
111-96 PICKET		13	4
IMPERIAL FINIAL		13	5



ZONE	REV	DESCRIPTION	DATE	APPROVED
-	NC	INITIAL RELEASE		



Jerith[®]
 Manufacturing Co., Inc.
 Philadelphia, PA 19154
 (800)344-2242

DRAWING:
INDUSTRIAL FENCE
STYLE #111 - 96" HEIGHT

SIZE D	DWG NO. IN96U111SN	REV NC
SCALE	DATE 1-1-05	SHEET 1 OF 1

© 2005. This drawing may not be altered or reproduced without the permission of Jerith Manufacturing Co., Inc.

ALL POSTS TYPICALLY INSTALLED IN CONCRETE IN ACCORDANCE WITH LOCAL CONDITIONS AND STANDARD BUILDING PRACTICES