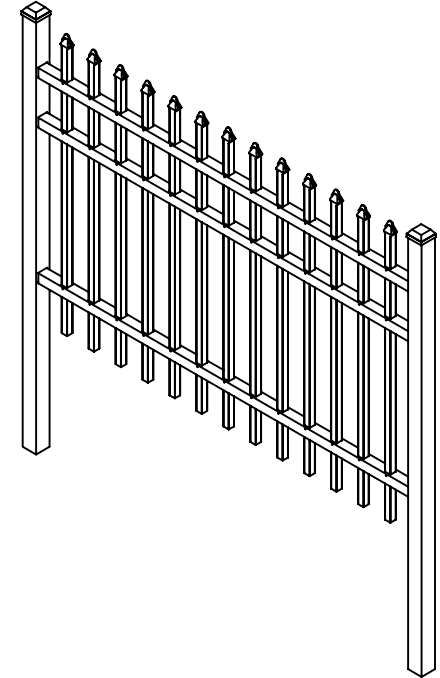
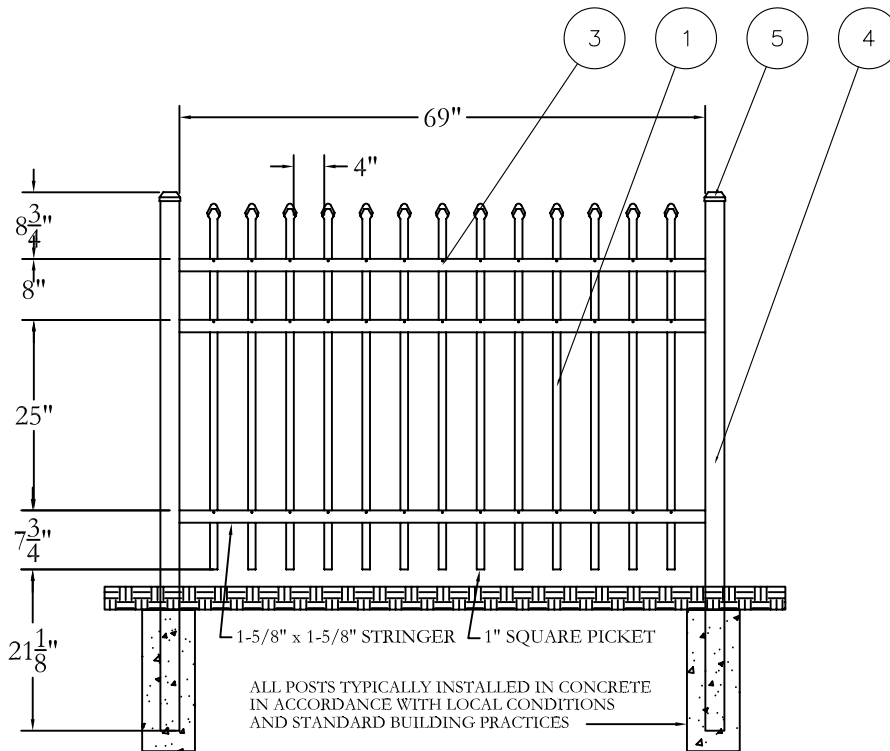


FENCE PARTS			
Name	Qty	Item	
1101-48 PICKET	13	1	
70-1/2" - 13 HOLE IND. STRINGER	3	3	
2-1/2" POST	2	4	
2-1/2" ALUMINUM POST CAP	2	5	

ZONE		REV	DESCRIPTION	DATE	APPROVED
-	NC		INITIAL RELEASE		



Jerith[®]
 Manufacturing Co., Inc.
 Philadelphia, PA 19154
 (800)344-2242

DRAWING:
INDUSTRIAL FENCE
STYLE #101 - 48" HEIGHT

© 2005. This drawing may not be altered or reproduced without the permission of Jerith Manufacturing Co., Inc.

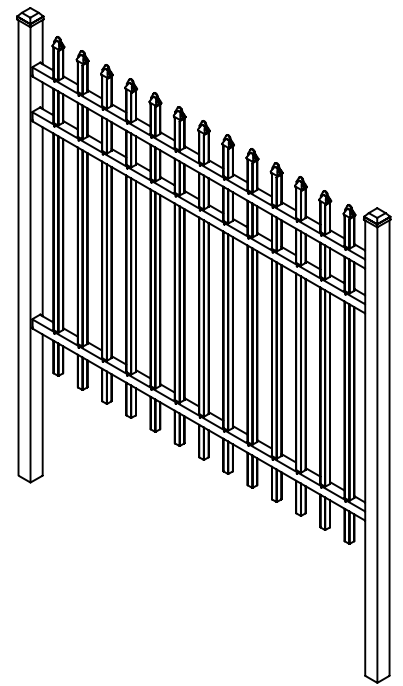
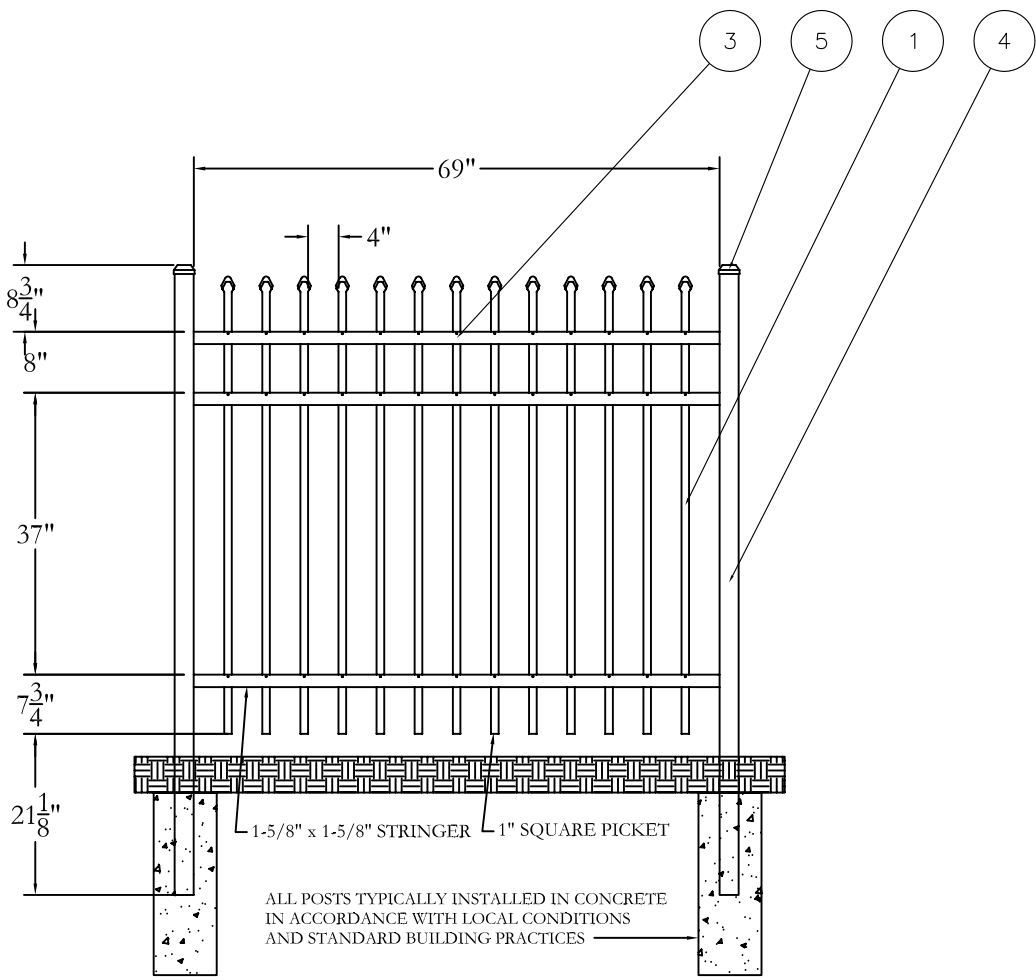
SIZE D	DWG NO. IN48U101SN	REV NC
SCALE	DATE 1-1-04	SHEET 1 OF 1

FENCE PARTS			
Name	Qty	Item	
1101-60 PICKET	13	1	
70-1/2" - 13 HOLE IND. STRINGER	3	3	
2-1/2" POST	2	4	
2-1/2" ALUMINUM POST CAP	2	5	

ZONE	REV	DESCRIPTION	DATE	APPROVED
-	NC	INITIAL RELEASE		

D
C
B
A

D
C
B
A



Jerith[®]
 Manufacturing Co., Inc.
 Philadelphia, PA 19154
 (800)344-2242

DRAWING:
**INDUSTRIAL FENCE
 STYLE #101 - 60" HEIGHT**

© 2005. This drawing may not be altered or reproduced without the permission of Jerith Manufacturing Co., Inc.

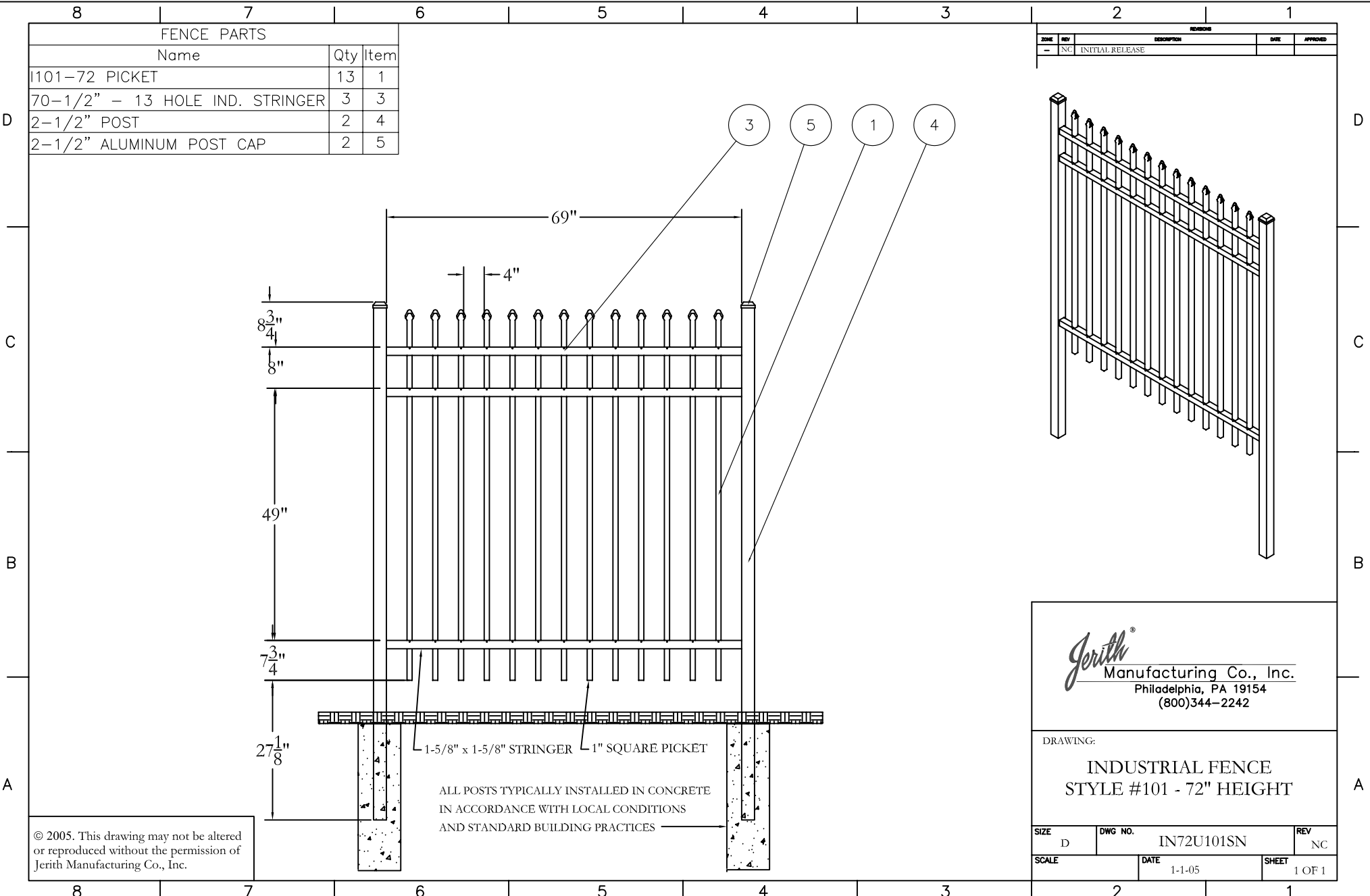
SIZE D	DWG NO. IN60U101SN	REV NC
SCALE	DATE 1-1-05	SHEET 1 OF 1

8 7 6 5 4 3 2 1

8 7 6 5 4 3 2 1

FENCE PARTS			
Name	Qty	Item	
1101-72 PICKET	13	1	
70-1/2" - 13 HOLE IND. STRINGER	3	3	
2-1/2" POST	2	4	
2-1/2" ALUMINUM POST CAP	2	5	

ZONE	REV	DESCRIPTION	DATE	APPROVED
-	NC	INITIAL RELEASE		



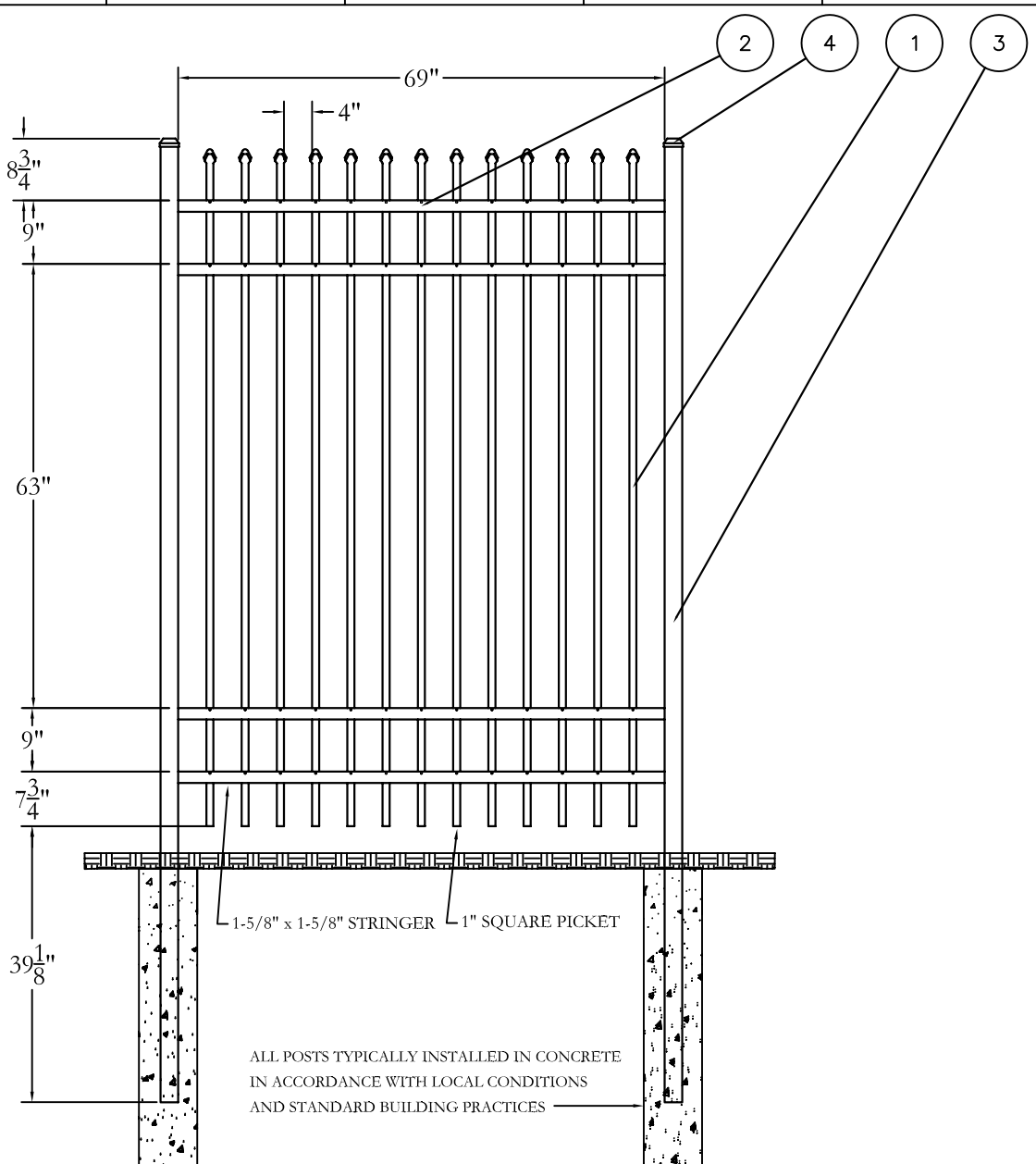
Jerith[®]
 Manufacturing Co., Inc.
 Philadelphia, PA 19154
 (800)344-2242

DRAWING:
INDUSTRIAL FENCE
STYLE #101 - 72" HEIGHT

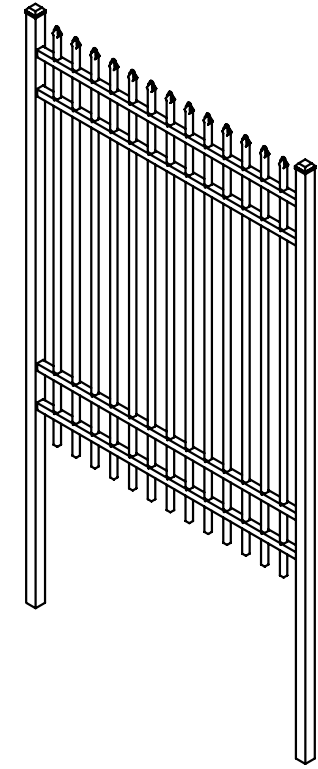
© 2005. This drawing may not be altered or reproduced without the permission of Jerith Manufacturing Co., Inc.

SIZE D	DWG NO. IN72U101SN	REV NC
SCALE	DATE 1-1-05	SHEET 1 OF 1

FENCE PARTS		Qty	Item
Name			
1101-96 PICKET		13	1
70-1/2" - 13 HOLE IND. STRINGER		4	2
2-1/2" POST		2	3
2-1/2" ALUMINIUM POST CAP		2	4



ZONE	REV	DESCRIPTION	DATE	APPROVED
-	NC	INITIAL RELEASE		

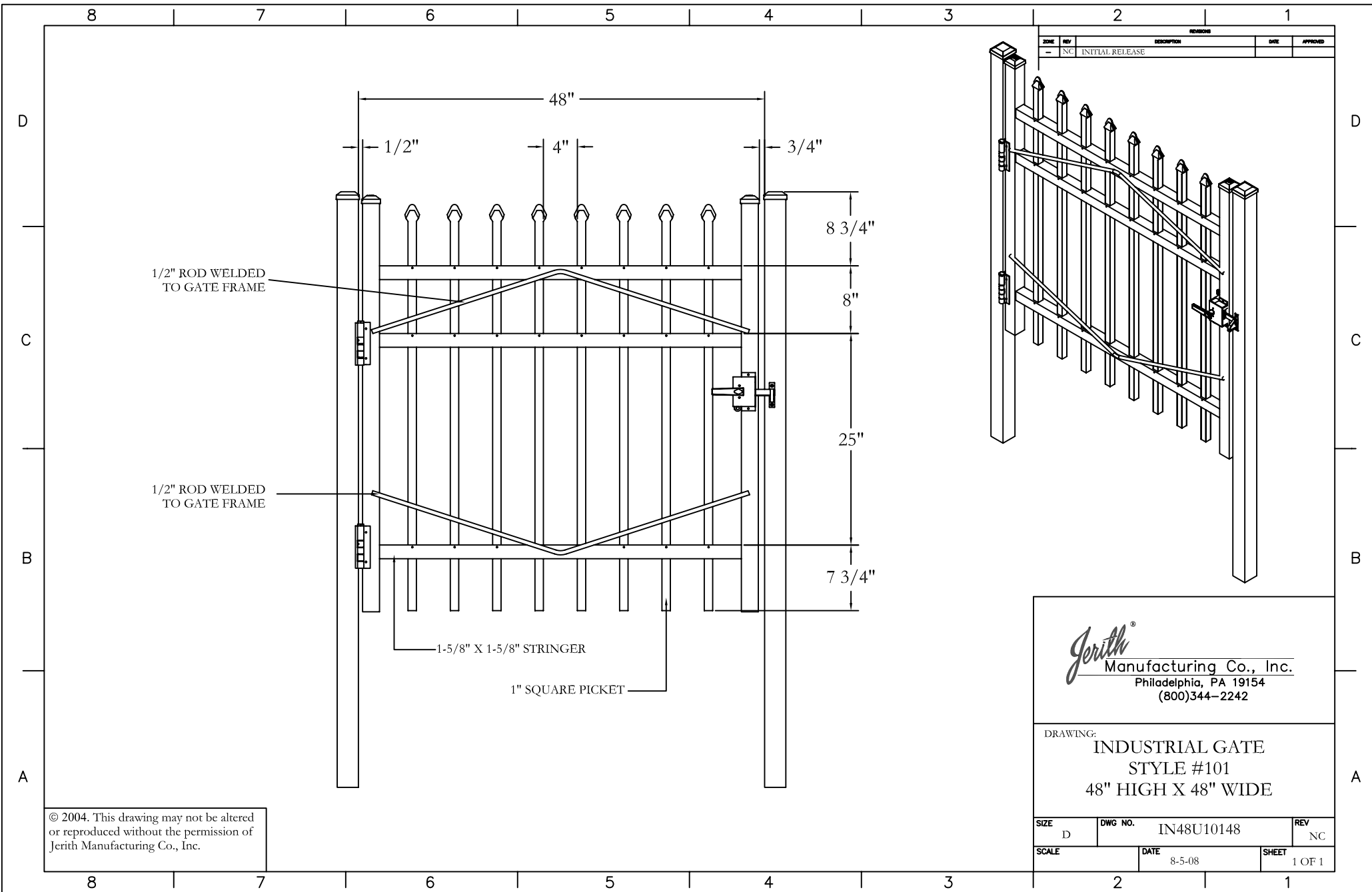


Jerith[®]
 Manufacturing Co., Inc.
 Philadelphia, PA 19154
 (800)344-2242

DRAWING:
**INDUSTRIAL FENCE
 STYLE #101 - 96" HEIGHT**

SIZE D	DWG NO. IN96U101SN	REV NC
SCALE	DATE 1-1-05	SHEET 1 OF 1

© 2005. This drawing may not be altered or reproduced without the permission of Jerith Manufacturing Co., Inc.



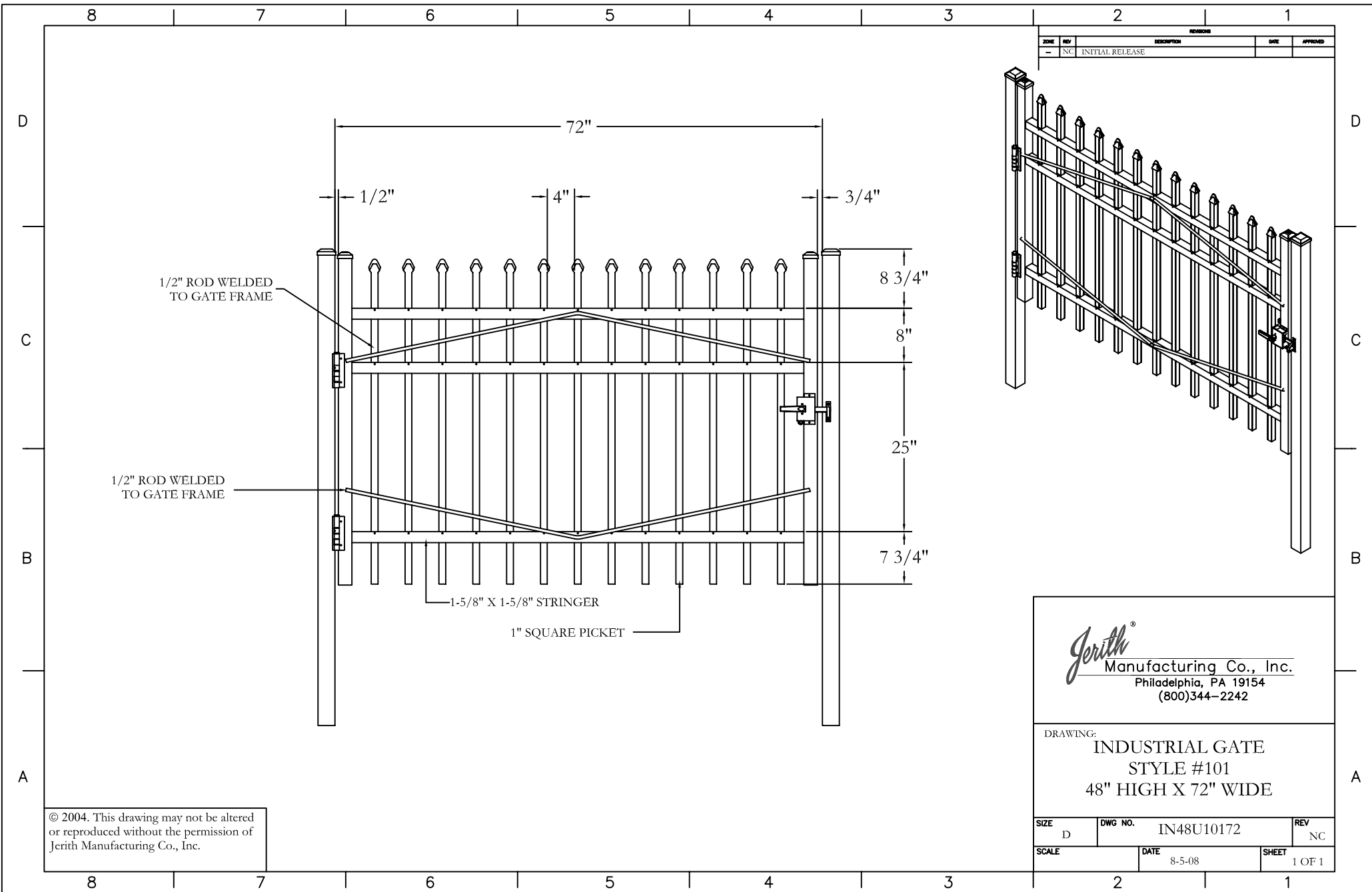
ZONE	REV	DESCRIPTION	DATE	APPROVED
-	NC	INITIAL RELEASE		

Jerith[®]
 Manufacturing Co., Inc.
 Philadelphia, PA 19154
 (800)344-2242

DRAWING:
INDUSTRIAL GATE
STYLE #101
48" HIGH X 48" WIDE

SIZE D	DWG NO. IN48U10148	REV NC
SCALE	DATE 8-5-08	SHEET 1 OF 1

© 2004. This drawing may not be altered or reproduced without the permission of Jerith Manufacturing Co., Inc.



ZONE		REV	DESCRIPTION	DATE	APPROVED
-	NC		INITIAL RELEASE		

1/2" ROD WELDED TO GATE FRAME

1/2" ROD WELDED TO GATE FRAME

1-5/8" X 1-5/8" STRINGER

1" SQUARE PICKET

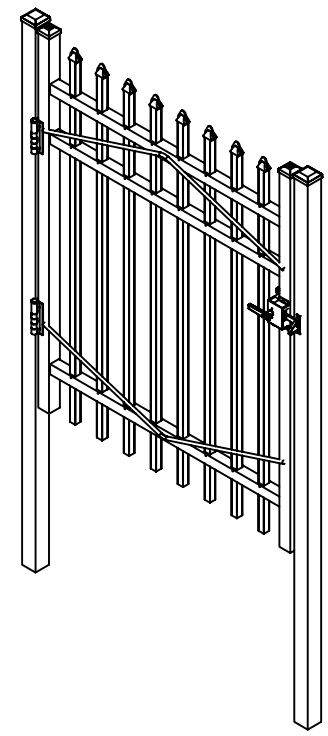
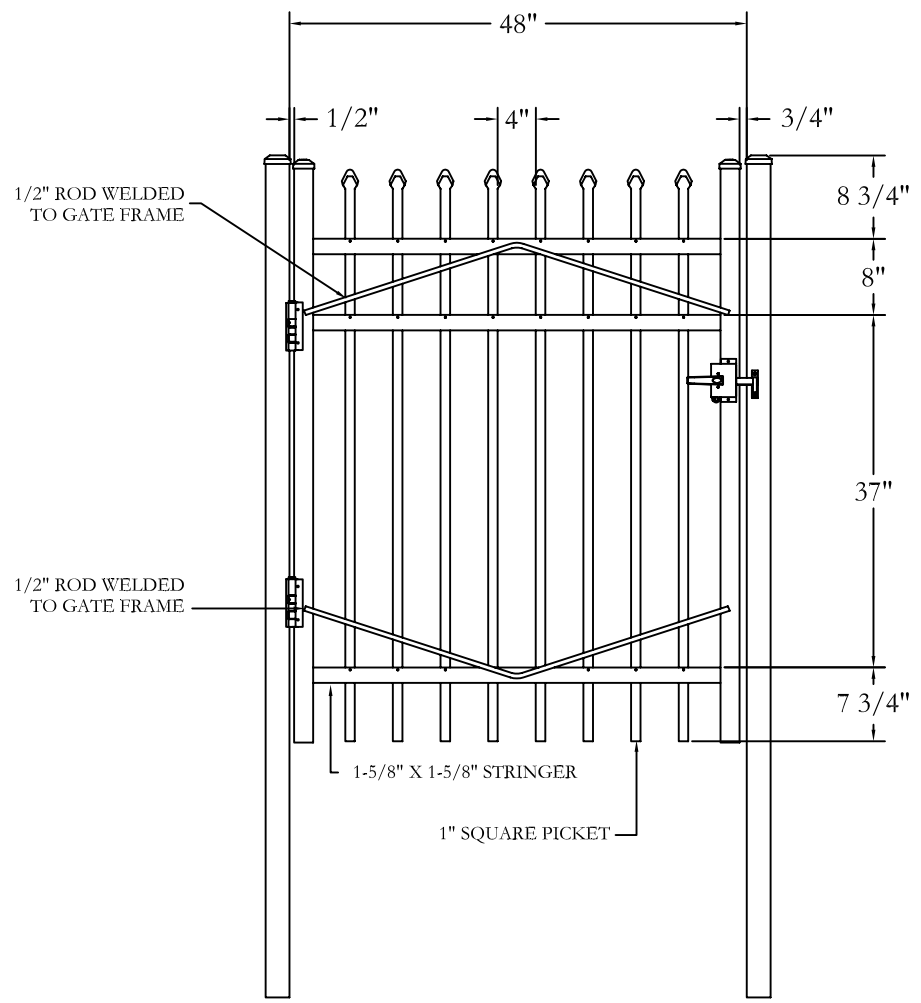
Jerith[®]
 Manufacturing Co., Inc.
 Philadelphia, PA 19154
 (800)344-2242

DRAWING:
INDUSTRIAL GATE
STYLE #101
48" HIGH X 72" WIDE

SIZE D	DWG NO. IN48U10172	REV NC
SCALE	DATE 8-5-08	SHEET 1 OF 1

© 2004. This drawing may not be altered or reproduced without the permission of Jerith Manufacturing Co., Inc.

ZONE		REV	DESCRIPTION	DATE	APPROVED
-	NC		INITIAL RELEASE		



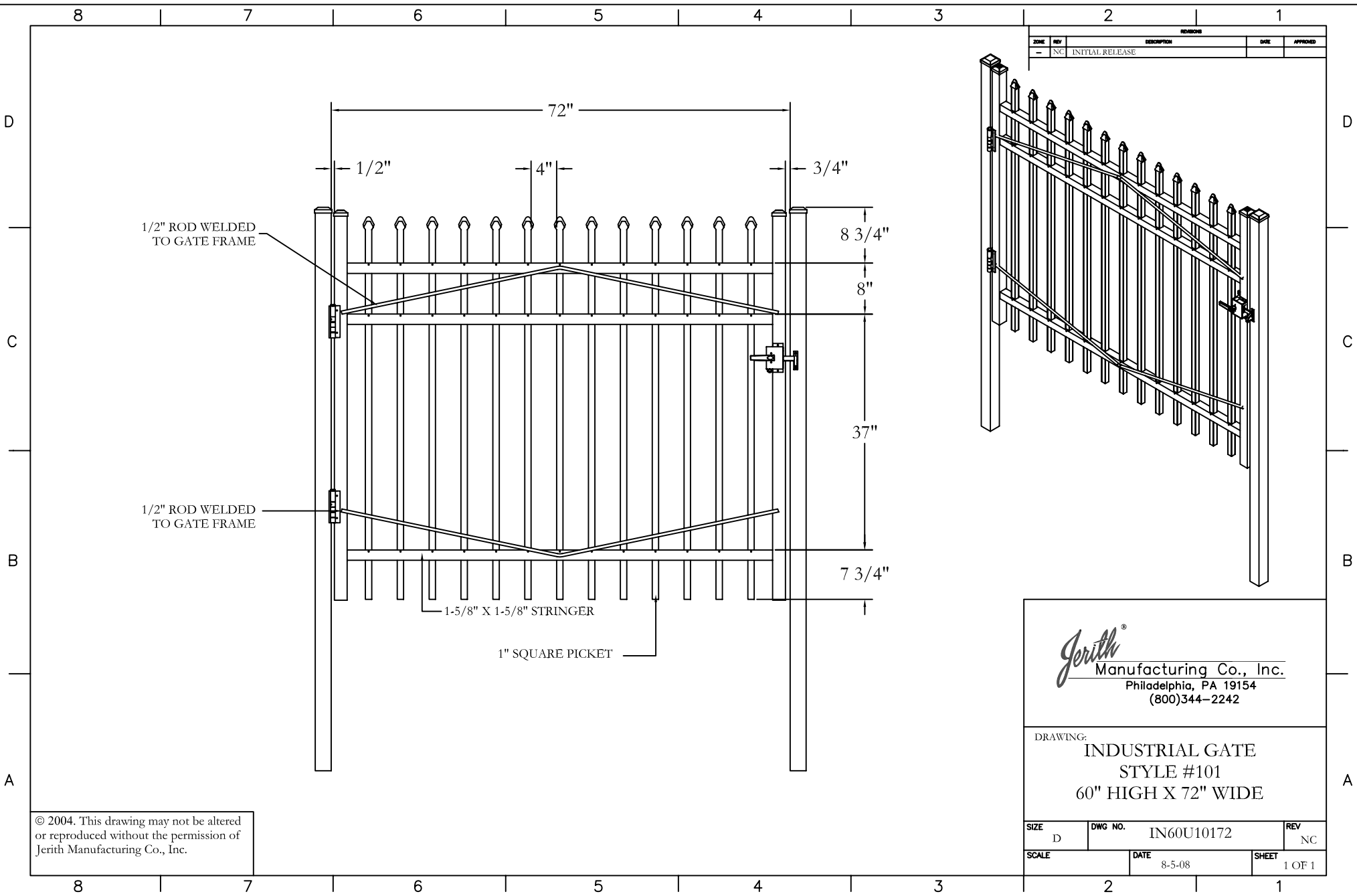
Jerith[®]
 Manufacturing Co., Inc.
 Philadelphia, PA 19154
 (800)344-2242

DRAWING:
INDUSTRIAL GATE
STYLE #101
60" HIGH X 48" WIDE

SIZE D	DWG NO. IN60U10148	REV NC
SCALE	DATE 8-5-08	SHEET 1 OF 1

© 2004. This drawing may not be altered or reproduced without the permission of Jerith Manufacturing Co., Inc.

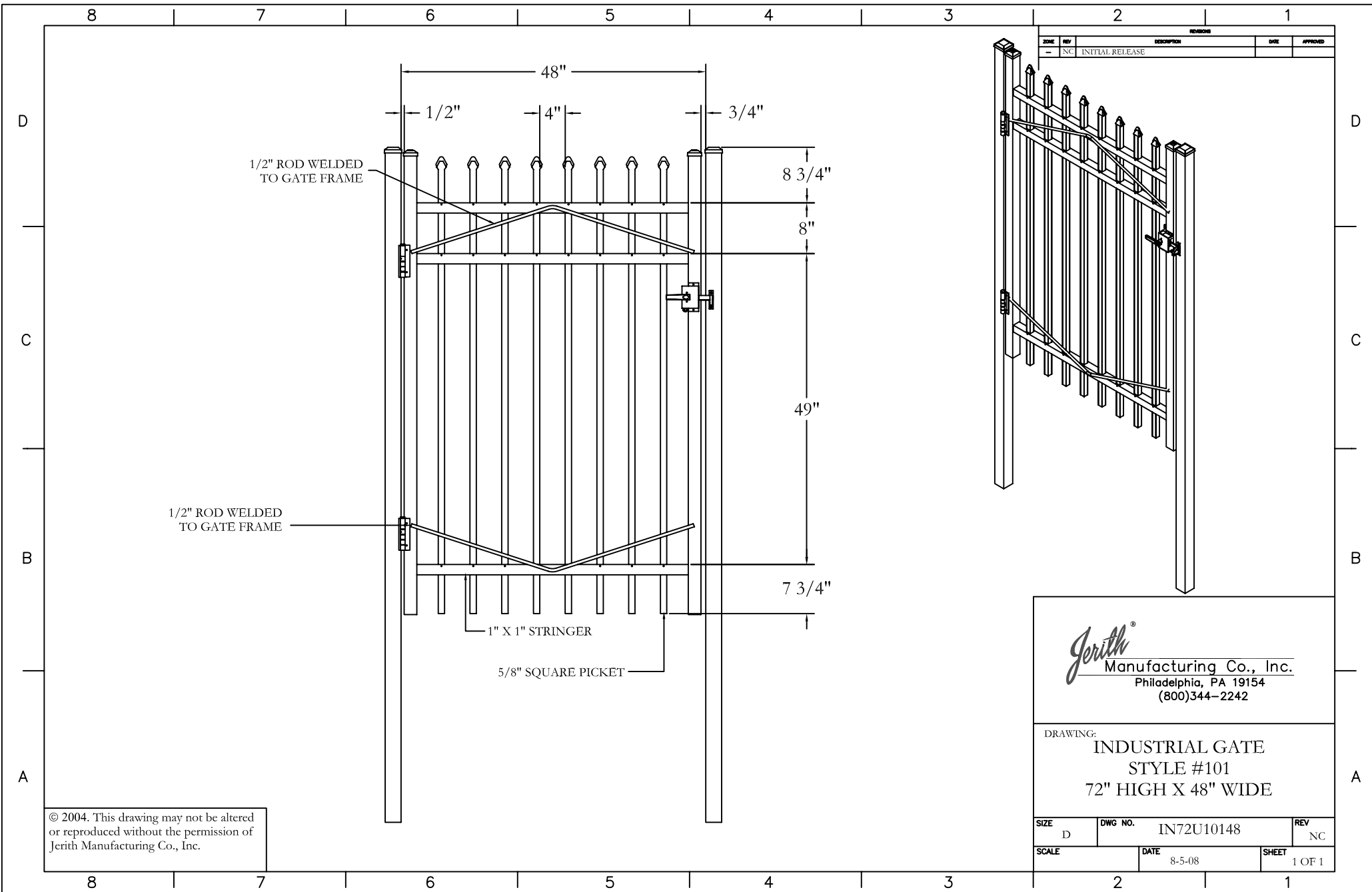
ZONE	REV	DESCRIPTION	DATE	APPROVED
-	NC	INITIAL RELEASE		



Jerith[®]
 Manufacturing Co., Inc.
 Philadelphia, PA 19154
 (800)344-2242

DRAWING:
INDUSTRIAL GATE
STYLE #101
60" HIGH X 72" WIDE

SIZE D	DWG NO. IN60U10172	REV NC
SCALE	DATE 8-5-08	SHEET 1 OF 1



ZONE		REV	DESCRIPTION	DATE	APPROVED
-	NC		INITIAL RELEASE		

1/2" ROD WELDED TO GATE FRAME

1/2" ROD WELDED TO GATE FRAME

1" X 1" STRINGER

5/8" SQUARE PICKET

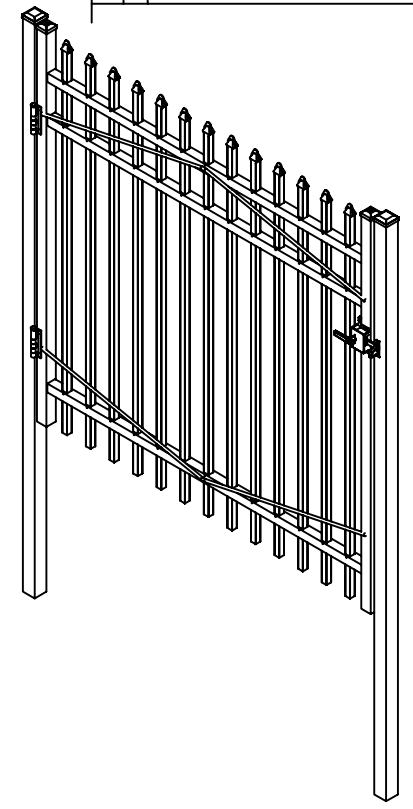
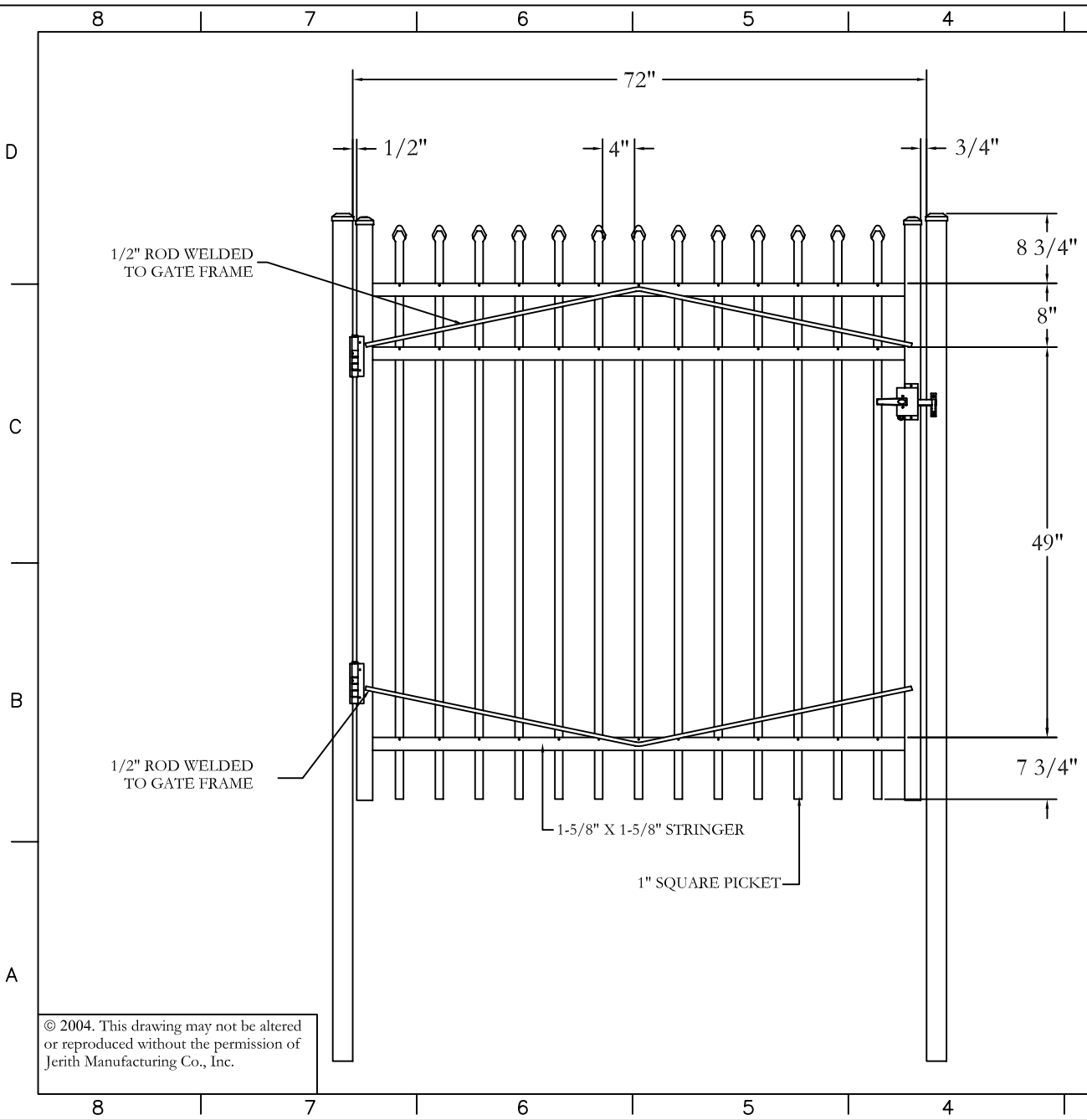
Jerith[®]
 Manufacturing Co., Inc.
 Philadelphia, PA 19154
 (800)344-2242

DRAWING:
INDUSTRIAL GATE
STYLE #101
72" HIGH X 48" WIDE

SIZE D	DWG NO. IN72U10148	REV NC
SCALE	DATE 8-5-08	SHEET 1 OF 1

© 2004. This drawing may not be altered or reproduced without the permission of Jerith Manufacturing Co., Inc.

ZONE		REV	DESCRIPTION	DATE	APPROVED
-	NC		INITIAL RELEASE		



Jerith[®]
 Manufacturing Co., Inc.
 Philadelphia, PA 19154
 (800)344-2242

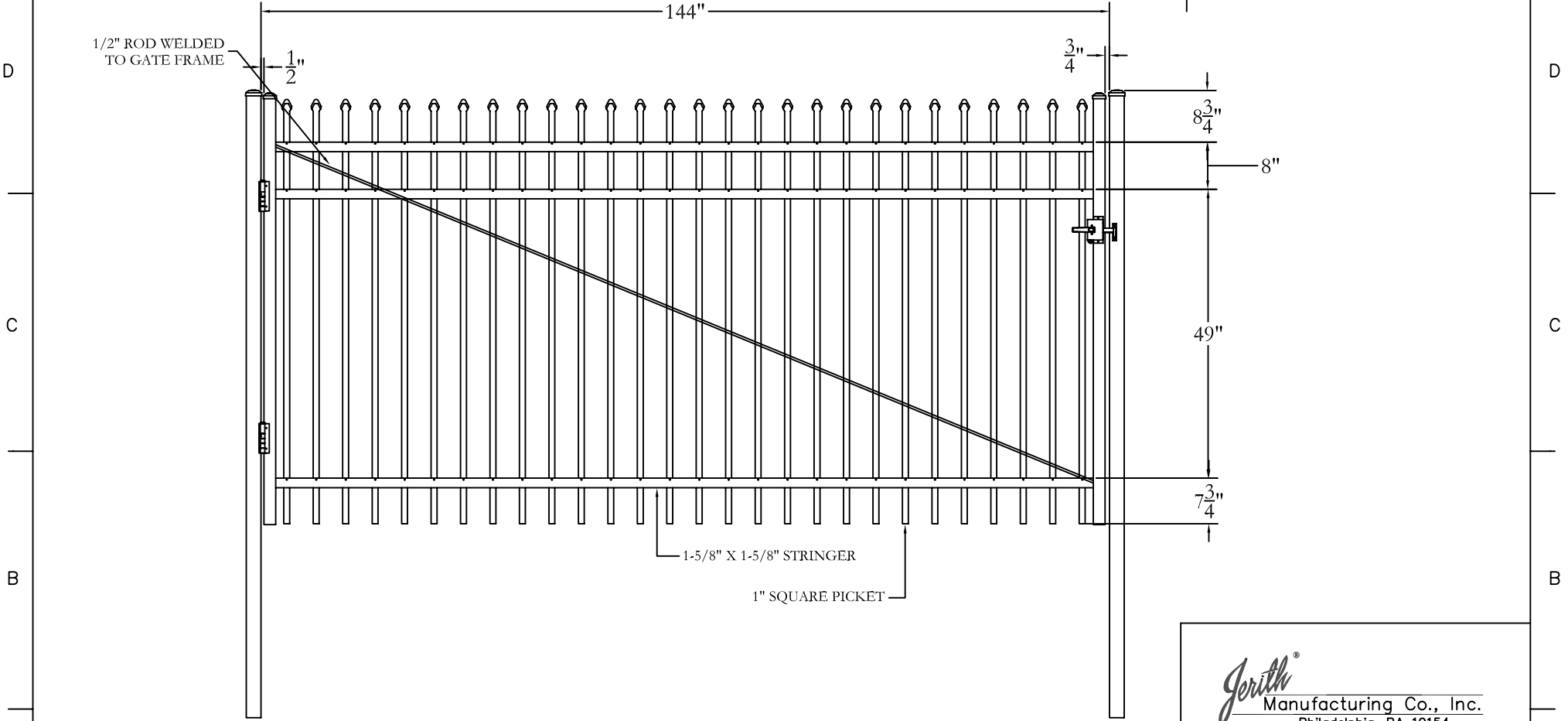
DRAWING:
INDUSTRIAL GATE
STYLE #101
72" HIGH X 72" WIDE

SIZE D	DWG NO. IN72U10172	REV NC
SCALE	DATE 8-5-08	SHEET 1 OF 1

© 2004. This drawing may not be altered or reproduced without the permission of Jerith Manufacturing Co., Inc.

8 7 6 5 4 3 2 1

ZONE		REV	DESCRIPTION	DATE	APPROVED
-	NC		INITIAL RELEASE		



1/2" ROD WELDED TO GATE FRAME

1-5/8" X 1-5/8" STRINGER

1" SQUARE PICKET

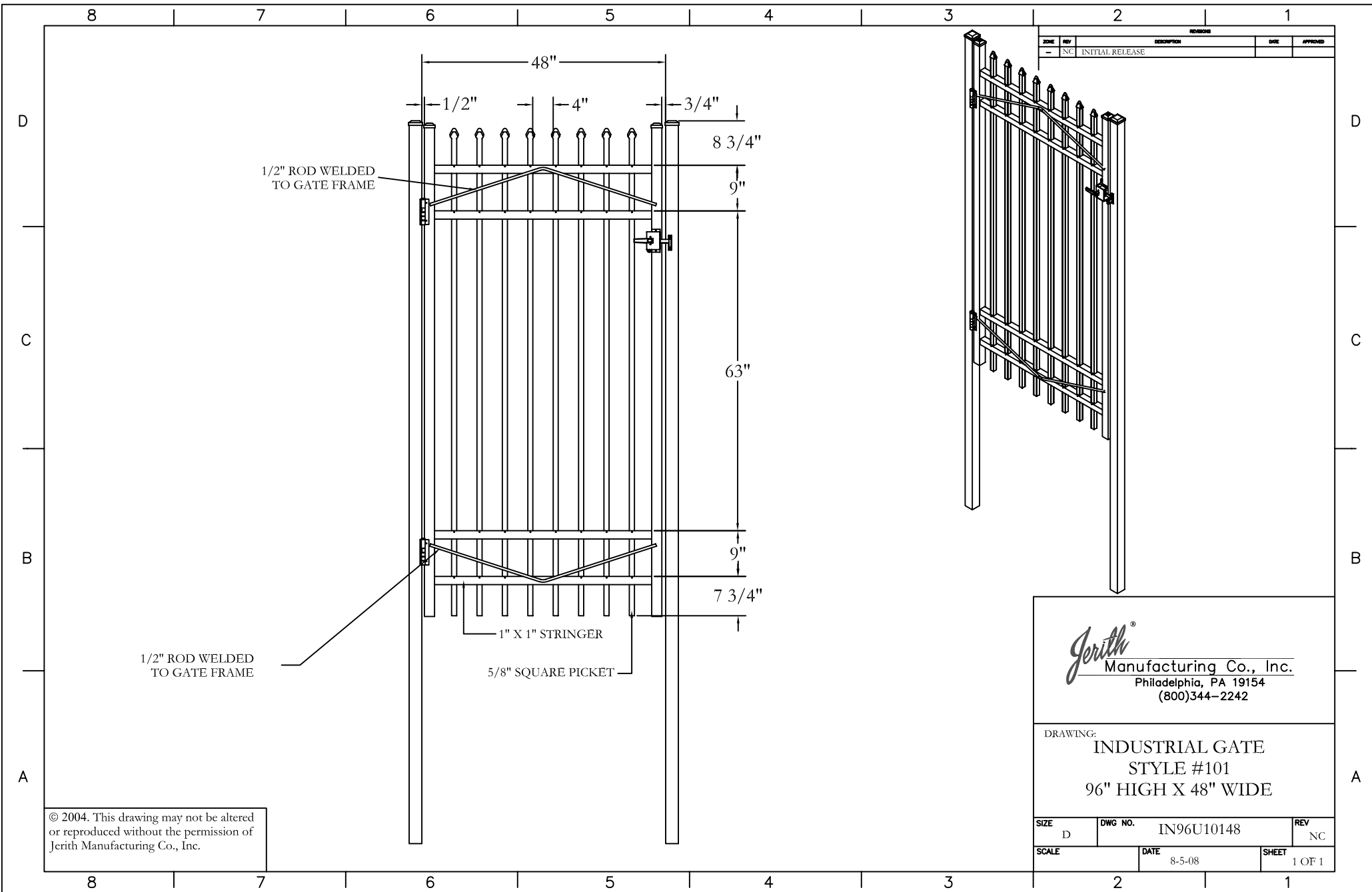
Jerith[®]
 Manufacturing Co., Inc.
 Philadelphia, PA 19154
 (800)344-2242

DRAWING:
INDUSTRIAL GATE
STYLE #101
72" HIGH X 144" WIDE

© 2004. This drawing may not be altered or reproduced without the permission of Jerith Manufacturing Co., Inc.

SIZE D	DWG NO. IN72U101144	REV NC
SCALE	DATE 3-1-04	SHEET 1 OF 1

8 7 6 5 4 3 2 1



ZONE		REV	DESCRIPTION	DATE	APPROVED
-	NC		INITIAL RELEASE		

1/2" ROD WELDED TO GATE FRAME

1/2" ROD WELDED TO GATE FRAME

1" X 1" STRINGER

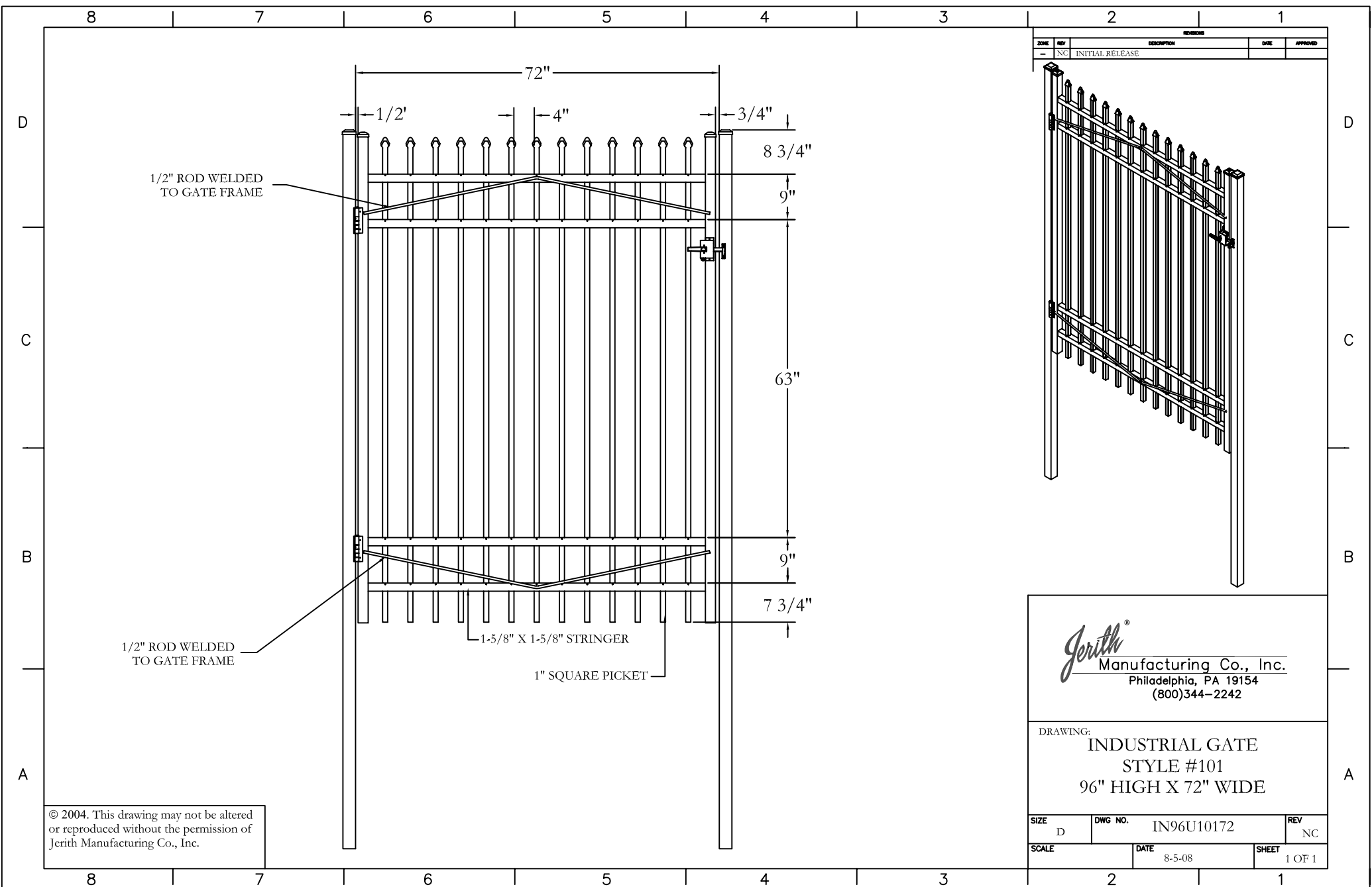
5/8" SQUARE PICKET

Jerith[®]
 Manufacturing Co., Inc.
 Philadelphia, PA 19154
 (800)344-2242

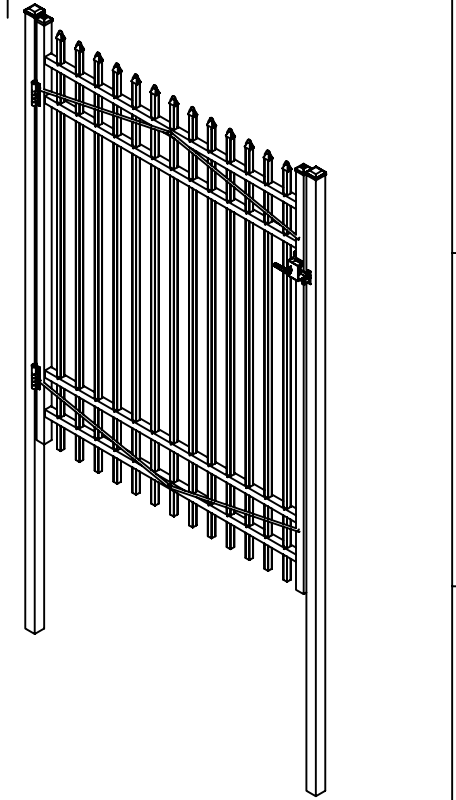
DRAWING:
INDUSTRIAL GATE
STYLE #101
96" HIGH X 48" WIDE

SIZE D	DWG NO. IN96U10148	REV NC
SCALE	DATE 8-5-08	SHEET 1 OF 1

© 2004. This drawing may not be altered or reproduced without the permission of Jerith Manufacturing Co., Inc.



ZONE	REV	DESCRIPTION	DATE	APPROVED
-	NC	INITIAL RELEASE		



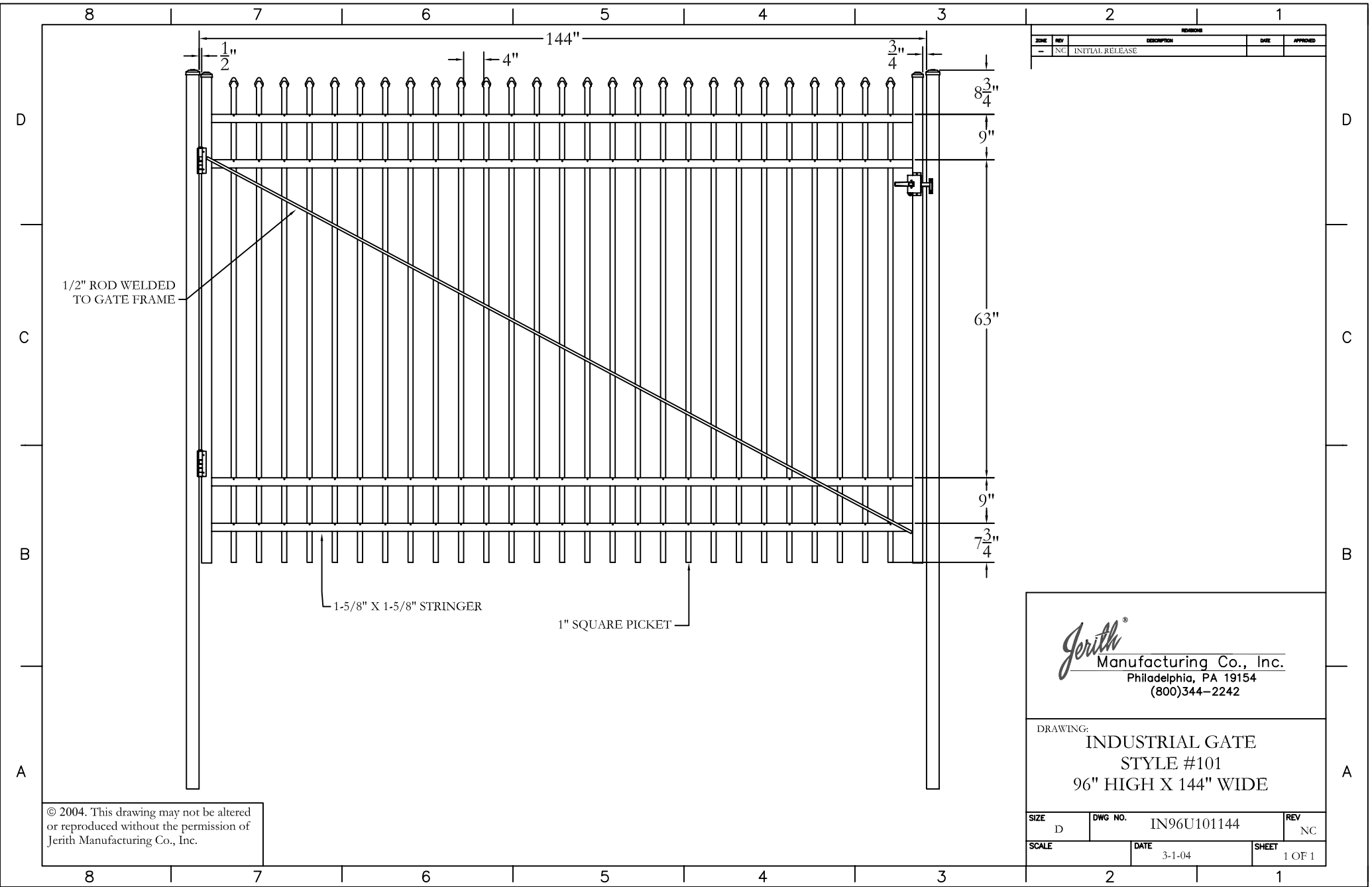


Jerith[®] Manufacturing Co., Inc.
 Philadelphia, PA 19154
 (800)344-2242

DRAWING:
INDUSTRIAL GATE
STYLE #101
96" HIGH X 72" WIDE

SIZE D	DWG NO. IN96U10172	REV NC
SCALE	DATE 8-5-08	SHEET 1 OF 1

© 2004. This drawing may not be altered or reproduced without the permission of Jerith Manufacturing Co., Inc.



1/2" ROD WELDED TO GATE FRAME

1-5/8" X 1-5/8" STRINGER

1" SQUARE PICKET

ZONE		REV	DESCRIPTION	DATE	APPROVED
-	NC		INITIAL RELEASE		

Jerith[®]
 Manufacturing Co., Inc.
 Philadelphia, PA 19154
 (800)344-2242

DRAWING:
INDUSTRIAL GATE
STYLE #101
96" HIGH X 144" WIDE

© 2004. This drawing may not be altered or reproduced without the permission of Jerith Manufacturing Co., Inc.

SIZE D	DWG NO. IN96U101144	REV NC
SCALE	DATE 3-1-04	SHEET 1 OF 1